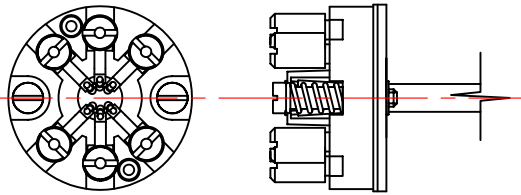
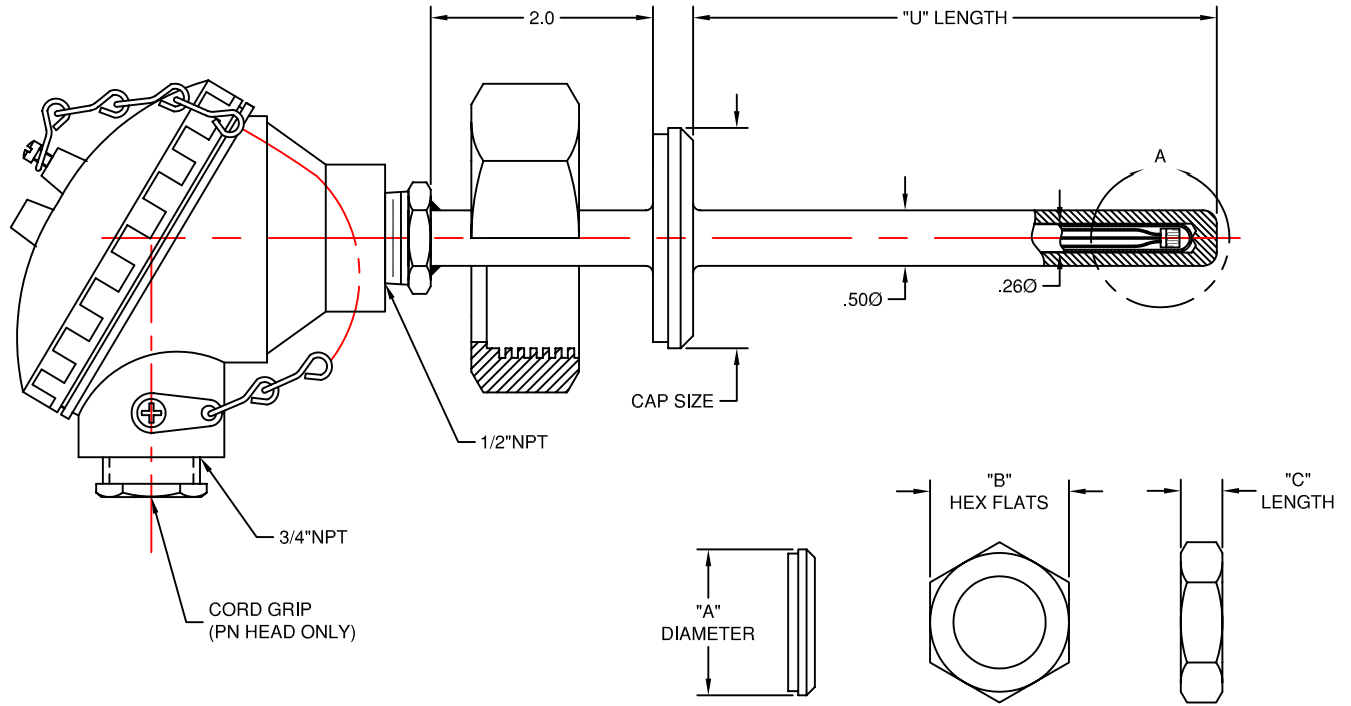
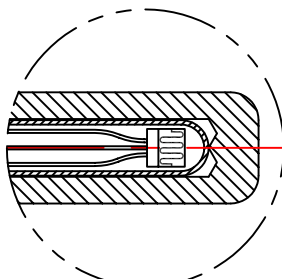


PHARMACEUTICAL & BIOTECH THERMOCOUPLES & RTD'S



TERMINAL BLOCK



DETAIL A
SCALE 2:1

D - CEPCBS - SW - BSF-2 - PN - 3.5 - CLA

CODE	ACCURACY
ASTM E1137 CLASS B (LEAVE BLANK)	
CLA	ASTM E1137 CLASS A

CODE	"U" LENGTH (IN INCHES)

CODE	CONNECTION HEAD
PN	WHITE POLYPROPYLENE, FDA APPROVED
AN	ALUMINUM, WATERPROOF, NEMA-4
SN	316 STAINLESS STEEL, WATERPROOF, NEMA-4, -4X

CODE	PROCESS CONNECTION			
	SIZE	"A" DIAMETER	"B" HEX FLATS	"C" LENGTH
BSF-1	1"	1.313"	1.813"	.906"
BSF-1.5	1.5"	1.844"	2.406"	.969"
BSF-2	2"	2.375"	3"	1.063"
BSF-2.5	2.5"	2.906"	3.594"	1.188"
BSF-3	3"	3.438"	4.188"	1.281"

CODE	STRUCTURE
	SINGLE, 3 WIRE, PLATINUM, 100 OHMS @ 0° C., .00385 TCR (LEAVE BLANK)
D	DUPLEX, 3 WIRE (6 TOTAL), PLATINUM, 100 OHMS @ 0° C., .00385 TCR

SPECIFICATIONS

Material: 316/316L Stainless Steel
 Finish: #4, Ra of 32 μin Max.
 Cap Compliance: 3-A Sanitary Standard
 Temperature Range: -58 to +500° F.
 RTD Element (Removable)
 Type: Platinum, 3-Wire
 Resistance @ 0° C: 100 OHMS
 Temperature Coefficient to Resistance: .00385
 Sheath Material: 316 Stainless Steel
 Sheath Diameter: 1/4"
 Termination: Spring Loaded DIN Style Block



TEMPERATURE MEASUREMENT DESIGNER'S GUIDE
 WWW.THERMO-ELECTRIC-DIRECT.COM

SECTION CEPC
 BEVEL SEAT RTD'S with
 CONNECTION HEAD & STRAIGHT THERMOWELL
 SINGLE & DUPLEX CONSTRUCTION

The information contained hereon shall be considered the sole property of Thermo Electric Company, Inc. The recipient thereof agrees not to disclose or reproduce said information to parties outside the recipient's organization without the written permission of Thermo Electric.

Doc. No.: TE-CO010109-CEPC-080