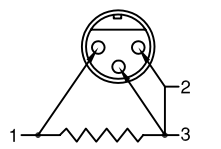
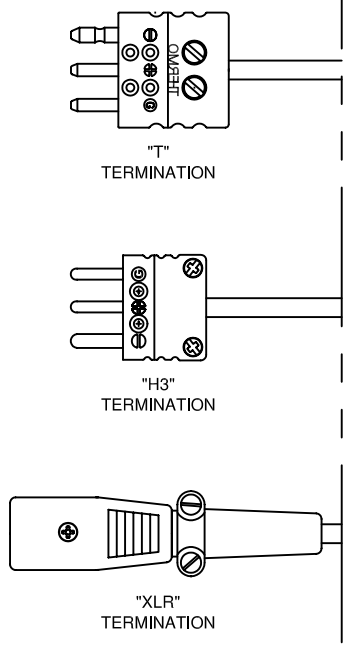
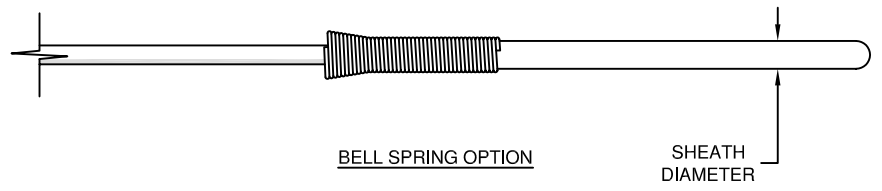
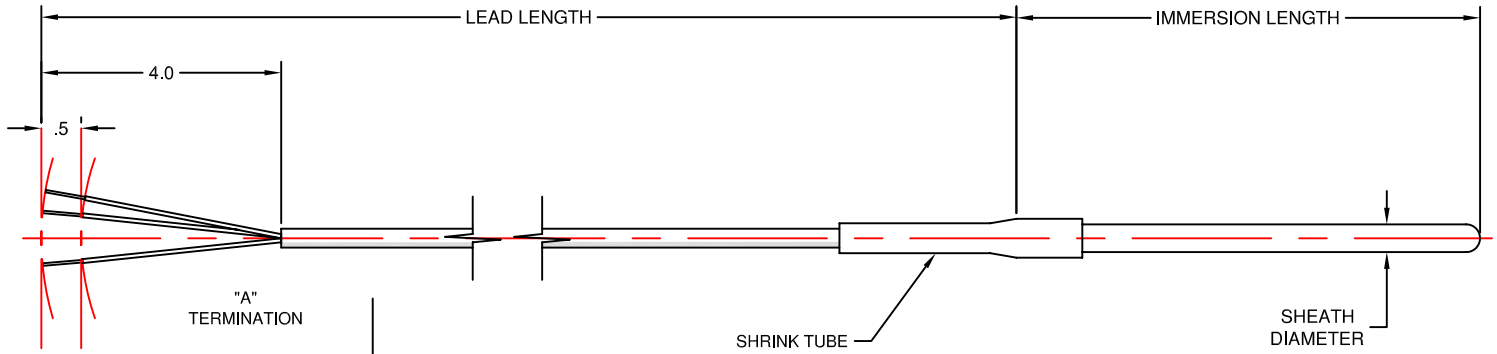


PHARMACEUTICAL & BIOTECH THERMOCOUPLES & RTD'S



CEPCDM — 14 — 4 — 36 — XLR — CLA — BS

SPECIFICATIONS
 Sheath Material: 316/316L Stainless Steel
 Sheath Finish: #4, Ra of 32 min Max.
 Temperature Range: -58 to +500° F.
RTD Type
 Structure: Single, 3 Wire
 Material: Platinum
 Resistance at 0° C.: 100 OHMS
 Temperature Coefficient of Resistance(TCR): .00385
Lead Wire:
 Conductor Size: 24 Gauge Stranded
 Conductor Material: Nickel Clad Copper
 Insulation: Teflon(FEP), Red/Red/White
 Jacket: Teflon(FEP), White
Pin Connectors
 Body Material: Glass Filled Thermoplastic
 Polarized Pins
 Spring Loaded Inserts
 Single Captive Cover Screw
 Maximum Temperature Limit: 390°F (200°C)
XLR Connectors
 Shell Material: Aluminum Alloy
 Contact Material: Copper Alloy
 Type: Audio, keyed
 Maximum Temperature Limit: 257°F (125°C)

CODE	OPTION (1/4" DIA. ONLY)
BS	BELL SPRING OPTION
CODE	ACCURACY (ASTM E1137)
	CLASS B (LEAVE BLANK)
CLA	CLASS A
CODE	TERMINATION
A	BARE ENDS
T	THREE PIN PLUG
H3	MINIATURE THREE PIN PLUG
XLR	AUDIO "XLR" PLUG
CODE	LEAD LENGTH (IN INCHES)
CODE	IMMERSION LENGTH (IN INCHES)
CODE	SHEATH DIAMETER
18	1/8" (.125")
316	3/16" (.187")
14	1/4" (.25")