

# INDUSTRIAL RTD'S

A		HEAD EXTENSION	
2	NIPPLE (NOTE 1)		
4	NIPPLE/UNION/NIPPLE (NOTE 1)		

CONNECTION HEAD			
CODE	MATERIAL	TYPE	NEMA
AN	ALUMINUM	WATER PROOF	4
SN	STAINLESS STEEL	WATER PROOF, CORROSION RESISTANT	4, 4X
AE	ALUMINUM	EXPLOSION PROOF (NOTE 2)	4
SE	STAINLESS STEEL	EXPLOSION PROOF, CORROSION RESISTANT (NOTE 2)	4, 4X
XD	ALUMINUM	EXPLOSION PROOF, FM, CSA APPROVED (NOTES 2 & 3)	4, 4X
A	CAST IRON	WEATHER PROOF, RUGGED	
L	POLYPROPYLENE	WEATHER PROOF, LIGHT WEIGHT	
AX	ALUMINUM, LARGE DEVICE, EPOXY COATED	EXPLOSION PROOF, ATEX APPROVED (NOTE 3)	4

C		D		E	
CODE	CONDUIT OPENING	CODE	TUBE OPENING	CODE	"A" LENGTH
	1/2 or 3/4NPT	1/2	1/2NPT		IN INCHES

F	
CODE	STRUCTURE
	SINGLE (LEAVE BLANK)
D	DUPLEX

G	
CODE	SHEATH DIAMETER (STANDARD 316 STN. STL.) (NOTE 4)
316	3/16" (.187)
14	1/4" (.250)

H				
CODE	STANDARD	MATERIAL	TCR	RESISTANCE @ 0° C.
	DIN 43760	PLATINUM	.00385	100 OHMS (LEAVE BLANK)
PT5	DIN 43760	PLATINUM	.00385	500 OHMS
PT1	DIN 43760	PLATINUM	.00385	1000 OHMS (LT RANGE ONLY)
JIS	JIS-C-1604-81	PLATINUM	.003916	100 OHMS
SA	RC21-4-1966	PLATINUM	.003923	98.129 OHMS
CU		COPPER	.00427	10 OHMS (LT RANGE ONLY)
NI		NICKEL	.00672	120 OHMS

J	
CODE	TEMPERATURE RANGE
LT	-58 to +500° F (-50 to +260° C.)
MT	-58 to +900° F (-50 to +482° C.)
	-292 to +932° F (-180 to +500° C.) (LEAVE BLANK)
HT	-292 to +1202° F (-180 to +650° C.) (NOTE 5)

K	
CODE	SYSTEM
2W	2 WIRE (4 WIRE TOTAL WITH DUPLEX)
	3 WIRE (LEAVE BLANK)
4W	4 WIRE (8 TOTAL WITH DUPLEX)

L	
CODE	ACCURACY
	ASTM E1137 CLASS B (LEAVE BLANK)
CLA	ASTM E1137 CLASS A

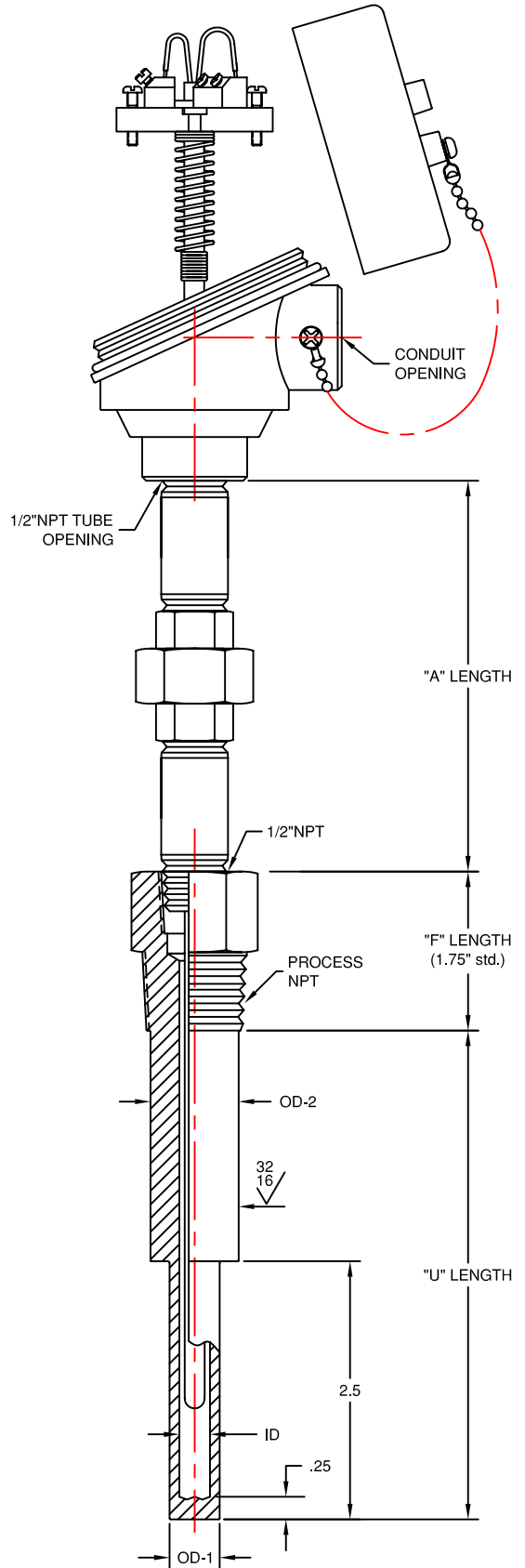
M					
CODE	PROCESS NPT	OD-1	OD-2	ID	HEX
122	3/4"	.500	.750	.260	1.13
142	1"	.500	.880	.260	1.38

N	
CODE	WELL MATERIAL
P	304 STAINLESS STEEL
B	BRASS
R	316 STAINLESS STEEL
PLorRL	304or316 S. S. (LOW CARBON)
N	CARBON STEEL

P	
CODE	"F" LENGTH
	IN INCHES (1.75" STD.)

Q	
CODE	"U" LENGTH
	IN INCHES

- Notes:
- (1) Standard Nipples - Steel, Schedule 40.  
Standard Unions - Black Malleable Iron, 150#. **OPTIONAL STAINLESS STEEL**  
Nipples - 304 or 316 Stainless Steel, Schedule 40 or 80.  
Unions - 304 or 316 Stainless Steel.  
Example Ordering Code: 4AE 3/4 1/2 6(R or R80).
  - (2) Rated NEC class 1, Groups B, C and D.
  - (3) ATEX approved EEx d IIC, T6.
  - (4) Contact factory for other sheaths and element types.
  - (5) Standard in single construction, 3 wire, class B, Inconel sheath material.
  - (6) For an item that does not fall within the catalog description an (SP) can be added to the ordering code as part of a custom construction.



EXAMPLE: 4 AE <sup>3</sup>/<sub>4</sub> - <sup>1</sup>/<sub>2</sub> - 4 - D 14 PT5 LT 4W CLA -142 R 1.75 - 6

A B C D E F G H J K L M N P Q



TEMPERATURE MEASUREMENT DESIGNER'S GUIDE  
WWW.THERMO-ELECTRIC-DIRECT.COM

## SECTION INRD

### DRILLED THREADED WELL ASSEMBLIES STEPPED DOWN SHANK CONSTRUCTION 3/4 & 1" NPT PROCESS CONNECTIONS

The information contained hereon shall be considered the sole property of Thermo Electric Company, Inc. The recipient thereof agrees not to disclose or reproduce said information to parties outside the recipients organization without the written permission of Thermo Electric.

Doc. No.: TE-CO010109-INRD-040