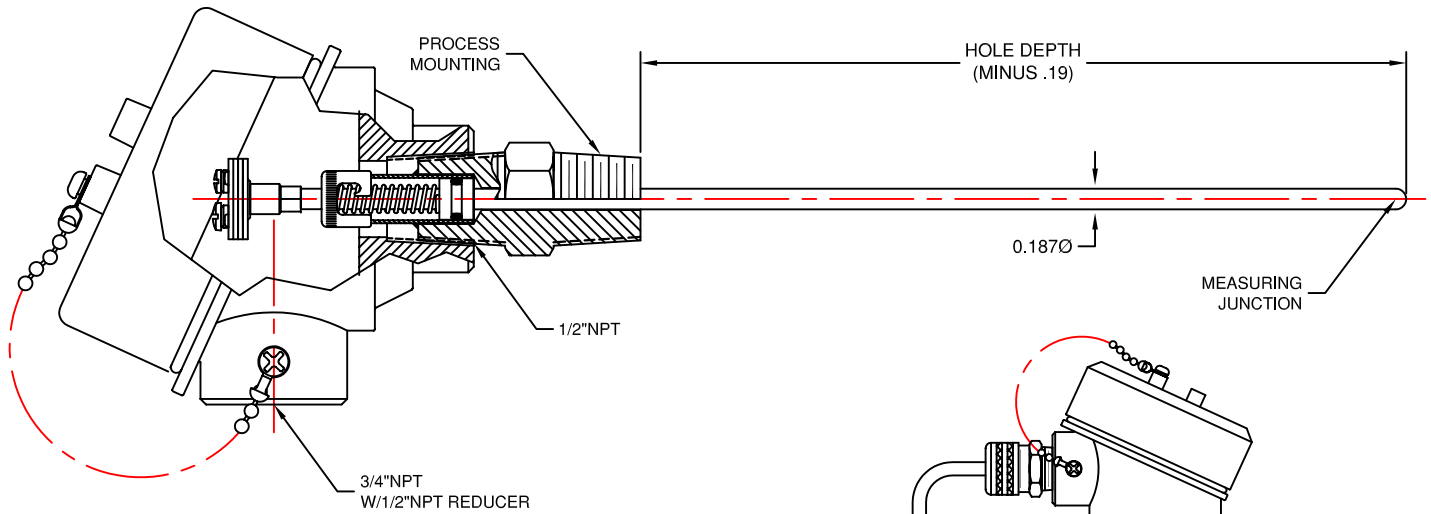


INDUSTRIAL THERMOCOUPLES

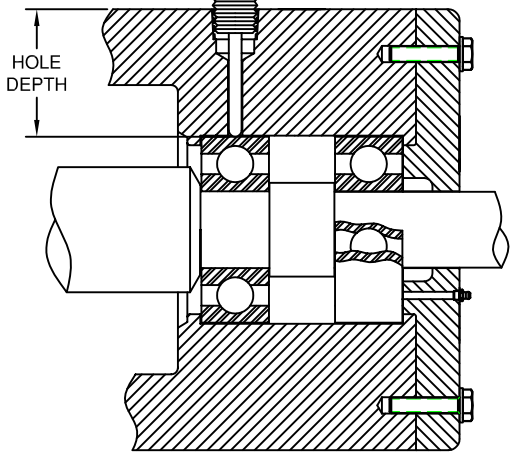
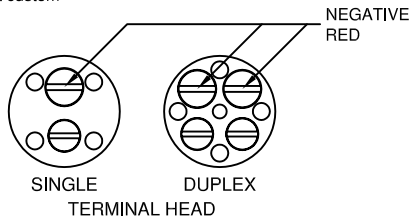


Specifications:

- (1) Fitting Assembly Material: Stainless Steel.
- (2) O-Ring: Viton.
- (3) Service Temperature: 400° F(205° C), Intermittent to 450 °F(260° C).

Notes:

- (1) Meets or exceeds Special Initial Calibration Tolerances per ANSI MC96.1-1982 and ASTM E230-1993
- (2) KKS & EES denotes stabilized thermocouple and special tolerance.
- (3) Contact factory for other calibration and sheath combinations.
- (4) Rated NEC class 1, Groups B, C and D.
- (5) ATEX approved EEx d IIC, T6.
- (6) For an item that does not fall within the catalog description an (SP) can be added to the ordering code as part of a custom construction.

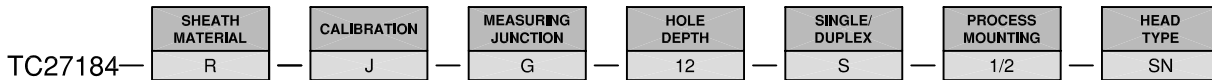


ORDERING CODE:

| CODE | | CALIBRATION | MEASURING JUNCTION | | CODE | SINGLE/DUPLEX |
|----------|------------------|--|--------------------|---|------|---------------------|
| STANDARD | SPECIAL (NOTE 1) | | CODE | HOLE DEPTH | | |
| J | JJ | IRON (+) vs CONSTANTAN (-) | G | SINGLE GROUNDED, GROUNDED TO SHEATH | S | SINGLE CONSTRUCTION |
| K | KK | CHROMEL (+) vs ALUMEL (-) | U | SINGLE UNGROUNDED, ISOLATED FROM SHEATH | D | DUPLEX CONSTRUCTION |
| T | TT | COPPER (+) vs CONSTANTAN (-) | DG | DUPLEX GROUNDED, GROUNDED TO SHEATH | | |
| E | EE | CHROMEL (+) vs CONSTANTAN (-) | DU | DUPLEX UNGROUNDED, ISOLATED FROM SHEATH | | |
| N | NN | NICROSIL (+) vs NISIL (-) | | | | |
| - | KKS | CHROMEL (+) vs ALUMEL (-) (NOTE 2) | | | | |
| - | EES | CHROMEL (+) vs CONSTANTAN (-) (NOTE 2) | | | | |

| CODE | HOLE DEPTH |
|------|------------|
| | IN INCHES |

| CODE | PROCESS MOUNTING |
|------|------------------|
| 1/4 | 1/4\"NPT |
| 3/8 | 3/8\"NPT |
| 1/2 | 1/2\"NPT |



| CODE | ELEMENT SHEATH MATERIAL | STANDARD CALIBRATIONS (NOTE 3) |
|------|-------------------------|--------------------------------|
| P | 304 STN. STL. | J, K, T |
| R | 316 STN. STL. | J, K, T, E, N |
| Q | 310 STN. STL. | J, K, E |
| J | INCONEL 600 | K, N, KKS, EES (NOTE 2) |

| CONNECTION HEAD | | | |
|-----------------|--------------------------------------|---|-------|
| CODE | MATERIAL | TYPE | NEMA |
| AN | ALUMINUM | WATER PROOF | 4 |
| SN | STAINLESS STEEL | WATER PROOF, CORROSION RESISTANT | 4, 4X |
| AE | ALUMINUM | EXPLOSION PROOF (NOTE 4) | 4 |
| SE | STAINLESS STEEL | EXPLOSION PROOF, CORROSION RESISTANT (NOTE 4) | 4, 4X |
| XD | ALUMINUM | EXPLOSION PROOF, FM, CSA APPROVED (NOTES 4 & 5) | 4, 4X |
| AX | ALUMINUM, LARGE DEVICE, EPOXY COATED | EXPLOSION PROOF, ATEX APPROVED (NOTE 5) | 4 |



TEMPERATURE MEASUREMENT DESIGNER'S GUIDE
WWW.THERMO-ELECTRIC-DIRECT.COM

SECTION INTC
OIL SEAL THERMOCOUPLES
with FLOATING COLLAR

The information contained hereon shall be considered the sole property of Thermo Electric Company, Inc. The recipient thereof agrees not to disclose or reproduce said information to parties outside the recipient's organization without the written permission of Thermo Electric.

Doc. No.: TE-CO010109-INTC-160