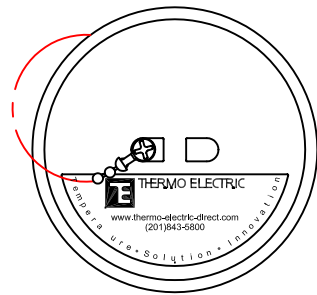
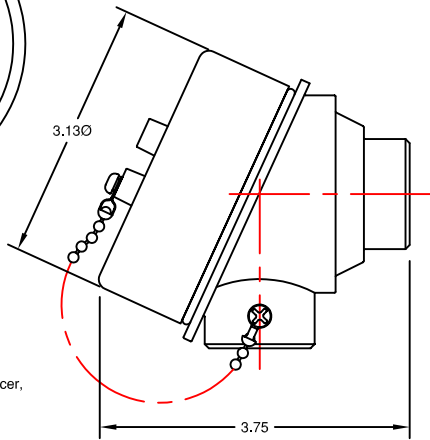


INDUSTRIAL THERMOCOUPLES

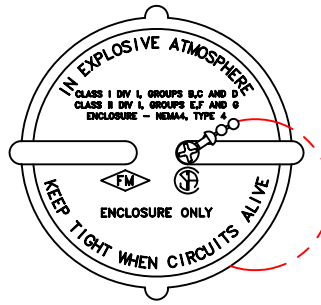


TYPE AN

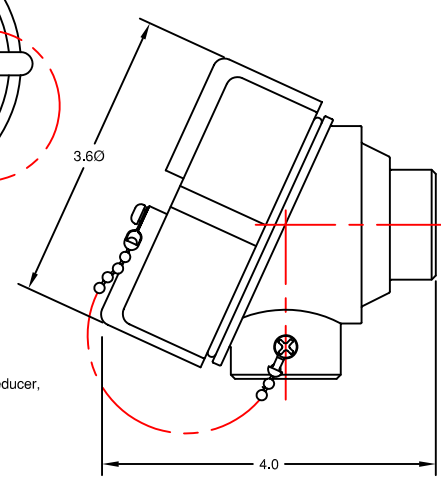


WATERPROOF ALUMINUM HEAD

- STANDARD FEATURES**
 Gray Polyester Coated Cast Aluminum Body & Cover
 Stainless Steel Ball Chain
 Neoprene O-ring
 Internal Ground Screw
 Available Tube Openings: 1/2", 3/4"NPT
 Available Conduit Openings: 1/2" with reducer, 3/4"NPT
- COMPLIANCE**
 NEMA-4

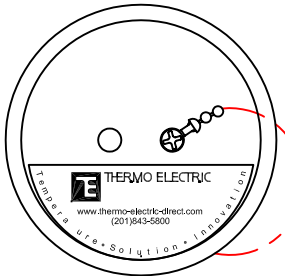


TYPE AE

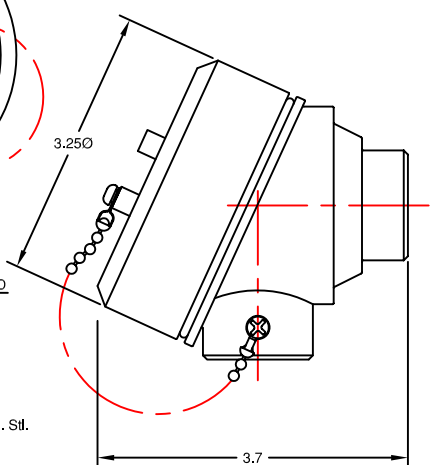


EXPLOSION PROOF ALUMINUM HEAD

- STANDARD FEATURES**
 Gray Polyester Coated Cast Aluminum Body & Cover
 Stainless Steel Ball Chain
 Neoprene O-ring
 Internal Ground Screw
 Available Tube Openings: 1/2", 3/4"NPT
 Available Conduit Openings: 1/2" with reducer, 3/4"NPT
- COMPLIANCE**
 CSA & FM Approved for Class 1, Division 1, Groups B, C, & D Class 2, Division 2, Groups E, F & G NEMA-4

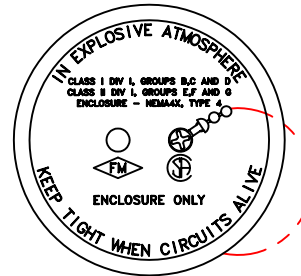


TYPE SN

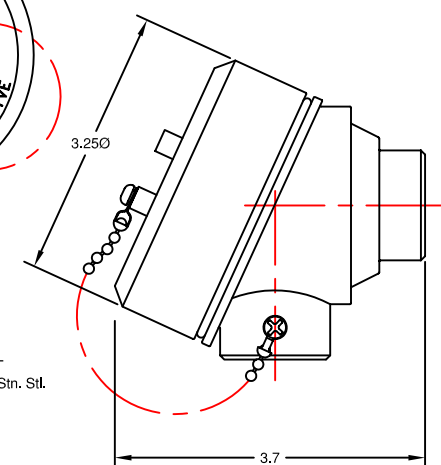


CORROSION RESISTANT STN. STL. HEAD

- STANDARD FEATURES**
 316 Stainless Steel Body & Cover
 Stainless Steel Ball Chain
 Neoprene O-ring
 Internal Ground Screw
 Available Tube Openings: 1/2", 3/4"NPT
 Available Conduit Openings: 1/2" with Stn. Stil. reducer, 3/4"NPT
- COMPLIANCE**
 NEMA-4, -4X



TYPE SE



CORROSION RESISTANT EXPLOSION PROOF STN. STL. HEAD

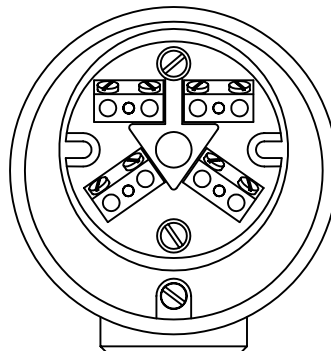
- STANDARD FEATURES**
 316 Stainless Steel Body & Cover
 Stainless Steel Ball Chain
 Neoprene O-ring
 Internal Ground Screw
 Available Tube Openings: 1/2", 3/4"NPT
 Available Conduit Openings: 1/2" with Stn. Stil. reducer, 3/4"NPT
- COMPLIANCE**
 CSA & FM Approved for Class 1, Division 1, Groups B, C, & D Class 2, Division 2, Groups E, F & G NEMA-4, -4X

CODE	HEAD TYPE	
	SERVICE	MATERIAL
AN	WATERPROOF	ALUMINUM
AE	EXPLOSION PROOF	ALUMINUM
SN	CORROSION RESISTANT	STAINLESS STEEL
SE	CORROSION RESISTANT, X-PROOF	STAINLESS STEEL

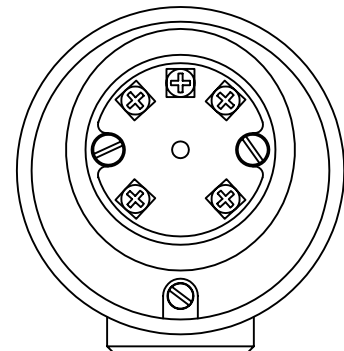
CODE	CONDUIT OPENING
	1/2 or 3/4"NPT

CODE	TUBE OPENING
	1/2 or 3/4"NPT

HD: - 4P
 AN 3/4 - 1/2



STANDARD 4 POINT TERMINAL BLOCK



TRANSMITTER MOUNTED



TEMPERATURE MEASUREMENT DESIGNER'S GUIDE
 WWW.THERMO-ELECTRIC-DIRECT.COM

SECTION INTC
CONNECTION HEADS

The information contained hereon shall be considered the sole property of Thermo Electric Company, Inc. The recipient thereof agrees not to disclose or reproduce said information to parties outside the recipient's organization without the written permission of Thermo Electric.

Doc. No.: TE-CO010109-INTC-260