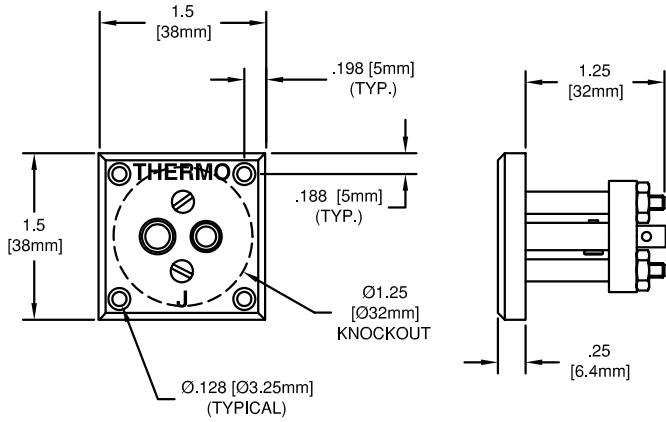


# THERMOCOUPLE & RTD PANELS



## SINGLE CIRCUIT JACK PANEL

| ORDERING CODE | CALIBRATION  |              | SYMBOL | PANEL CUTOUT            |
|---------------|--------------|--------------|--------|-------------------------|
|               | POSITIVE (+) | NEGATIVE (-) |        |                         |
| PA41616-JX    | IRON         | CONSTANTAN   | JX     | 1.25" to 1.44" KNOCKOUT |
| PA41616-TX    | COPPER       | CONSTANTAN   | TX     |                         |
| PA41616-SX    | COPPER       | ALLOY 11     | SX/RX* |                         |
| PA41616-KX    | CHROMEL      | ALUMEL       | KX     |                         |
| PA41616-BX    | COPPER       | COPPER       | BX**   |                         |
| PA41616-EX    | CHROMEL      | CONSTANTAN   | EX     |                         |
| NOT AVAILABLE | NICROSIL     | NISIL        | NX     |                         |

\* Compensating Extension Alloys used for both R and S thermocouples  
 \*\* Copper used for B thermocouples or RTD's

### SPECIFICATIONS

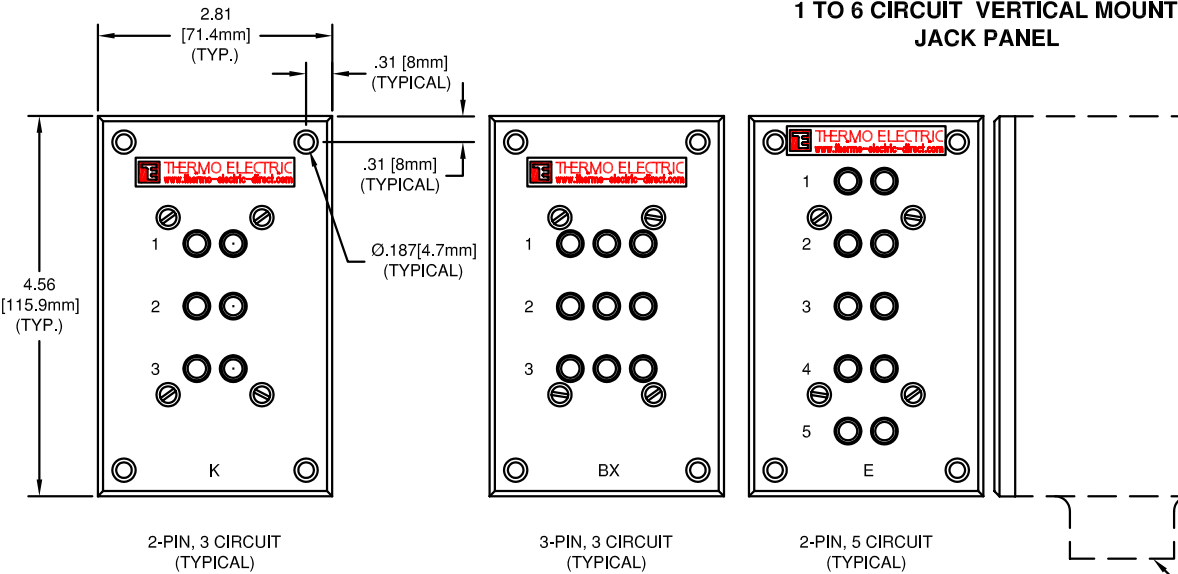
**INSERTS**  
 insert Material: Thermocouple Alloys  
 Polarized Pins, Marked on rear panel  
 Spring Loaded Inserts  
 Maximum Wire Diameter: .038" (20Ga)

**FACE PANEL**  
 Material: Machined Phenolic  
 Maximum Temperature Limit: 300°F (150°C)  
 Maximum Wire Diameter: .038" (20Ga)

**MATING PLUG**  
 Standard Size 2-Pin  
 See Document No.  
 TE-SB-101606-CONN-010  
 Standard Size Extended Temp. Limits  
 See Document No.  
 TE-CO010109-CONN-020  
 Standard Size Phenolic  
 See Document No.  
 TE-CO010109-CONN-060

**OPTIONAL EN1527 JUNCTION BOX**  
 SEE DOCUMENT NO.:  
 TE-CO010109-PANN-070

## 1 TO 6 CIRCUIT VERTICAL MOUNT JACK PANEL



## 2-PIN, 1 TO 6 CIRCUIT JACK PANEL

| ORDERING CODE | NUMBER OF CIRCUITS | PANEL CUTOUT              |
|---------------|--------------------|---------------------------|
| PA42606-XX    | 1                  | 2.63[67mm] x 1.63[41.4mm] |
| PA42607-XX    | 2                  | 2.63[67mm] x 1.63[41.4mm] |
| PA42608-XX    | 3                  | 2.63[67mm] x 1.5[38mm]    |
| PA42609-XX    | 4                  | 2.88[73mm] x 1.5[38mm]    |
| PA42610-XX    | 5                  | 3.63[92mm] x 1.5[38mm]    |
| PA42611-XX    | 6                  | 4.31[109.5mm] x 1.5[38mm] |

XX, FILL IN CALIBRATION: JX, KX, TX, SX/RX\*, EX, BX\*\*

**TEFLON®/Fiberglass**  
 These panels are also available in fiberglass reinforced TEFLON construction, both front and rear. They may be subjected to temperatures of up to 500°F(260°C).  
 To order with Teflon/fiberglass specify "-T/G" at the end of the ordering code.

## 3-PIN, 1 TO 6 CIRCUIT JACK PANEL

| ORDERING CODE | NUMBER OF CIRCUITS | PANEL CUTOUT                |
|---------------|--------------------|-----------------------------|
| PA42612-XX    | 1                  | 1.44[36.6mm] x 1.31[33.3mm] |
| PA42613-XX    | 2                  | 2.13[54mm] x 1.63[41.4mm]   |
| PA42614-XX    | 3                  | 2.13[54mm] x 1.63[41.4mm]   |
| PA42615-XX    | 4                  | 2.88[73mm] x 1.63[41.4mm]   |
| PA42616-XX    | 5                  | 3.63[92mm] x 1.63[41.4mm]   |
| PA42617-XX    | 6                  | 4.38[11.3mm] x 1.63[41.4mm] |

XX, FILL IN CALIBRATION: JX, KX, TX, SX/RX\*, EX, BX\*\*



TEMPERATURE MEASUREMENT DESIGNER'S GUIDE  
 WWW.THERMO-ELECTRIC-DIRECT.COM

## SECTION PANN

PHENOLIC, 2-PIN & 3-PIN JACK PANELS  
 SINGLE, 1 to 6 CIRCUIT VERTICAL MOUNT

The information contained hereon shall be considered the sole property of Thermo Electric Company, Inc. The recipient thereof agrees not to disclose or reproduce said information to parties outside the recipient's organization without the written permission of Thermo Electric.

Doc. No.: TE-CO010109-PANN-060