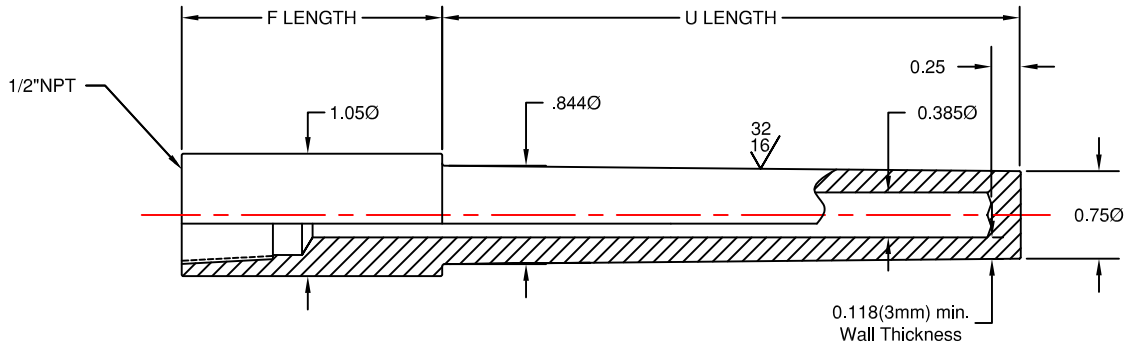
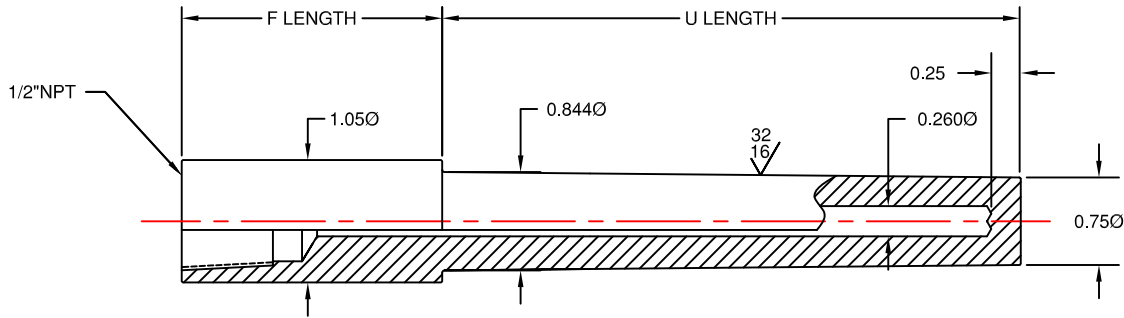


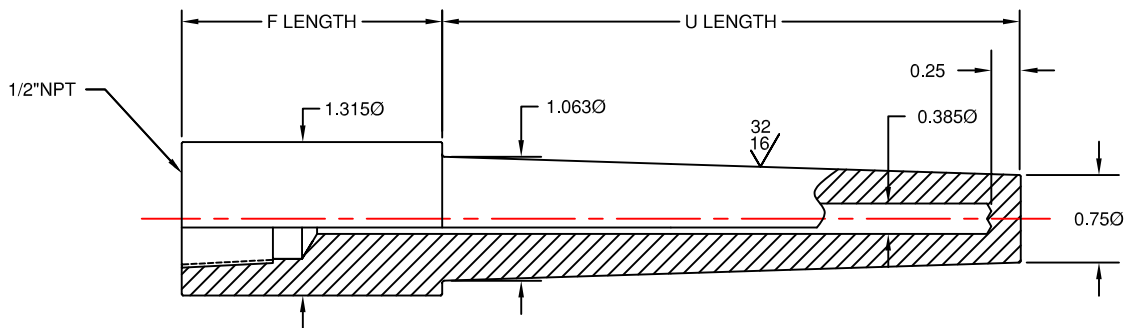
# ATEX APPROVED THERMOCOUPLES & RTD's



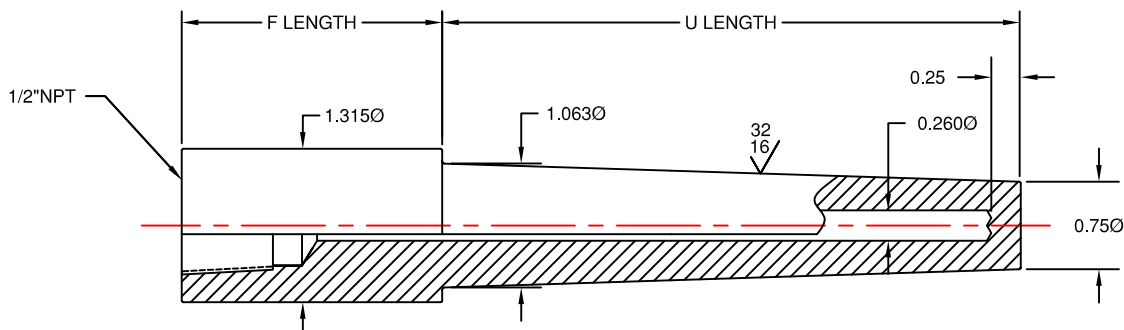
**TYPE 01**



**TYPE 011**



**TYPE 02**



**TYPE 021**

**STANDARD TOLERANCES**

U LENGTH  
12" or Less  $\pm .063$   
12" or Over  $\pm .13$   
F LENGTH  
 $\pm .25$   
STEM DIAMETER  
 $\pm .015$   
BORE DIAMETER  
 $+ .005 / - .003$   
END THICKNESS  
 $\pm .063$

Ordering Code  
Go to Documents  
TE-SB101606-ATEX-010 thru -030  
for Complete Ordering Code

|                 |  |             |                                |
|-----------------|--|-------------|--------------------------------|
| <b>CODE</b>     | <b>THERMOWELL TYPE</b><br>(INSERT WELL TYPE) | <b>CODE</b> | <b>U LENGTH</b><br>(IN INCHES) |
| <b>CODE</b>     | <b>WELL MATERIAL</b>                         | <b>CODE</b> | <b>F LENGTH</b><br>(IN INCHES) |
| P               | 304 STN. STL.                                |             |                                |
| R               | 316 STN. STL.                                |             |                                |
| PLorRL<br>(F11) | 304 or 316L STN. STL.<br>1.25% CR. - .5 MO.  |             |                                |
| N               | CARBON STEEL                                 |             |                                |



TEMPERATURE MEASUREMENT DESIGNER'S GUIDE  
WWW.THERMO-ELECTRIC-DIRECT.COM

## SECTION ATEX DRILLED SOCKET THERMOWELLS

The information contained hereon shall be considered the sole property of Thermo Electric Company, Inc. The recipient thereof agrees not to disclose or reproduce said information to parties outside the recipient's organization without the written permission of Thermo Electric.

Doc. No.: TE-CO010109-ATEX-040