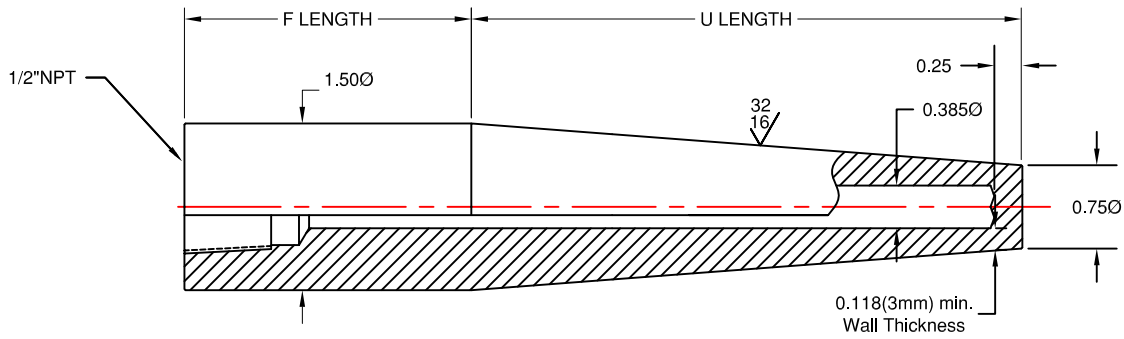
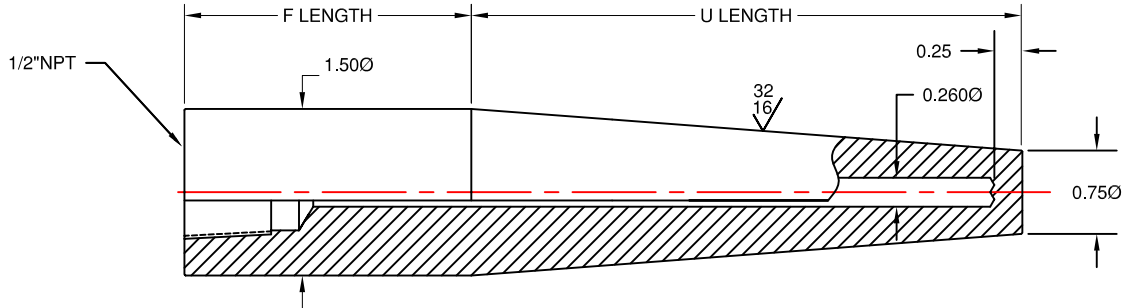


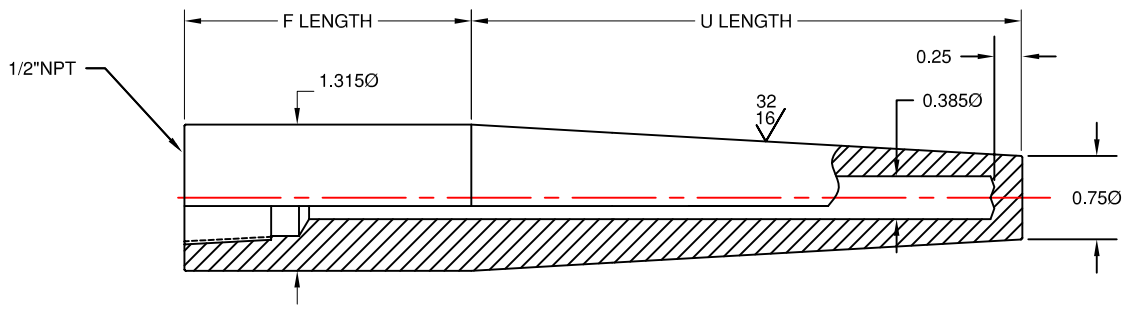
ATEX APPROVED THERMOCOUPLES & RTD's



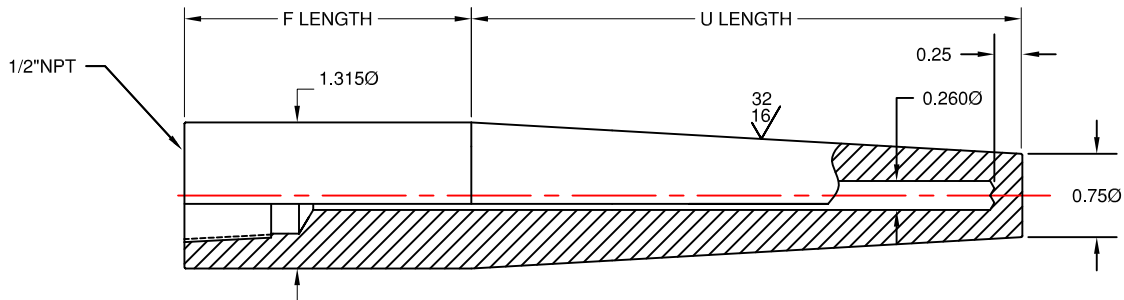
TYPE 03



TYPE 031



TYPE 04



TYPE 041

STANDARD TOLERANCES

- U LENGTH
12" or Less ± 0.063
12" or Over ± 0.13
- F LENGTH
 ± 0.25
- STEM DIAMETER
 ± 0.015
- BORE DIAMETER
 $+0.005/-0.003$
- END THICKNESS
 ± 0.063

Ordering Code
Go to Documents
TE-SB052206-ATEX-001 thru -003
for Complete Ordering Code

CODE	THERMOWELL TYPE (INSERT WELL TYPE)

CODE	U LENGTH (IN INCHES)

CODE	WELL MATERIAL
P	304 STN. STL.
R	316 STN. STL.
PLorRL (F11)	304 or 316L STN. STL. 1.25% CR. - .5 MO.
N	CARBON STEEL

CODE	F LENGTH (IN INCHES)



TEMPERATURE MEASUREMENT DESIGNER'S GUIDE
WWW.THERMO-ELECTRIC-DIRECT.COM

SECTION ATEX DRILLED WELD-IN THERMOWELLS

The information contained hereon shall be considered the sole property of Thermo Electric Company, Inc. The recipient thereof agrees not to disclose or reproduce said information to parties outside the recipient's organization without the written permission of Thermo Electric.

Doc. No.: TE-CO010109-ATEX-050