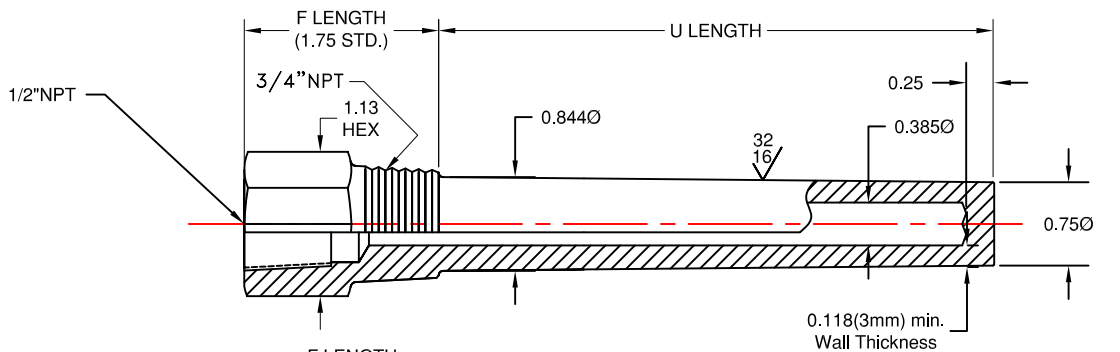
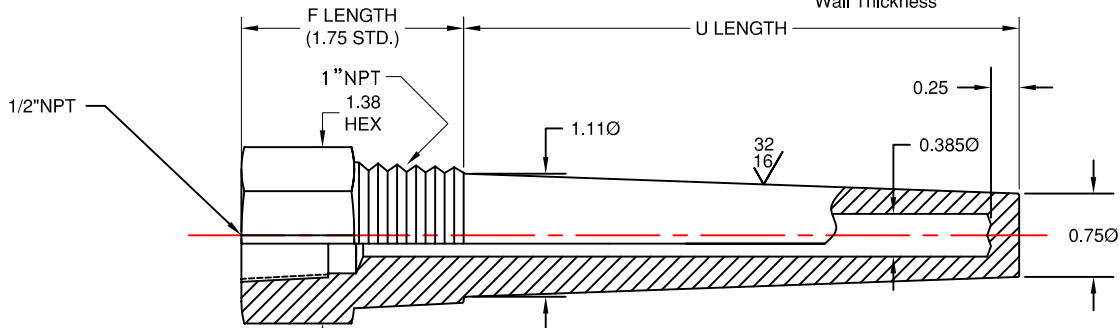


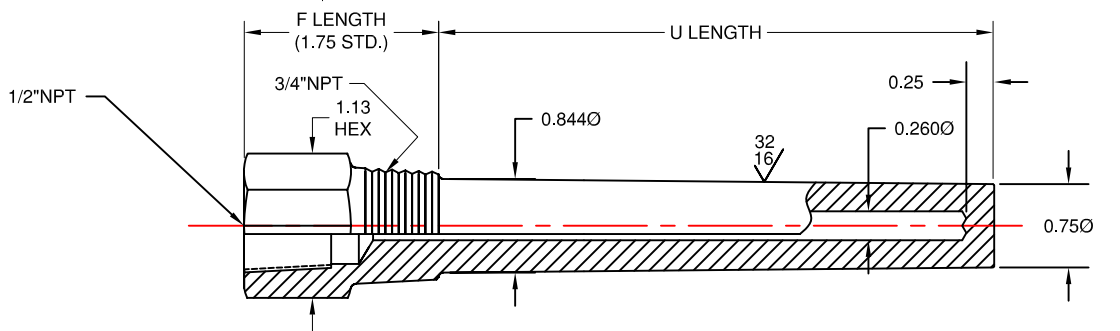
ATEX APPROVED THERMOCOUPLES & RTD's



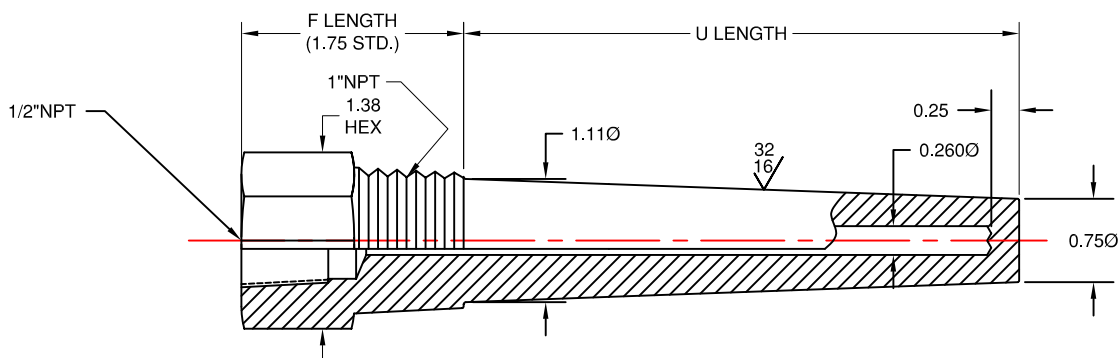
TYPE 12



TYPE 14



TYPE 121



TYPE 141

STANDARD TOLERANCES

- U LENGTH
12" or Less $\pm .063$
12" or Over $\pm .13$
- F LENGTH
 $\pm .25$
- STEM DIAMETER
 $\pm .015$
- BORE DIAMETER
 $+ .005 / - .003$
- END THICKNESS
 $\pm .063$

Ordering Code
Go to Documents
TE-SB101606-ATEX-010 thru -030
for Complete Ordering Code

| CODE | THERMOWELL TYPE (INSERT WELL TYPE) |
|------|---------------------------------------|
| | |

| CODE | U LENGTH (IN INCHES) |
|------|-------------------------|
| | |

| CODE | WELL MATERIAL |
|--------|-----------------------|
| P | 304 STN. STL. |
| B | BRASS |
| R | 316 STN. STL. |
| PLorRL | 304 or 316L STN. STL. |
| N | CARBON STEEL |

| CODE | F LENGTH (IN INCHES) |
|------|-------------------------|
| | |



TEMPERATURE MEASUREMENT DESIGNER'S GUIDE
WWW.THERMO-ELECTRIC-DIRECT.COM

SECTION ATEX DRILLED THREADED THERMOWELLS, TAPERED SHANK

The information contained hereon shall be considered the sole property of Thermo Electric Company, Inc. The recipient thereof agrees not to disclose or reproduce said information to parties outside the recipient's organization without the written permission of Thermo Electric.

Doc. No.: TE-CO010109-ATEX-060