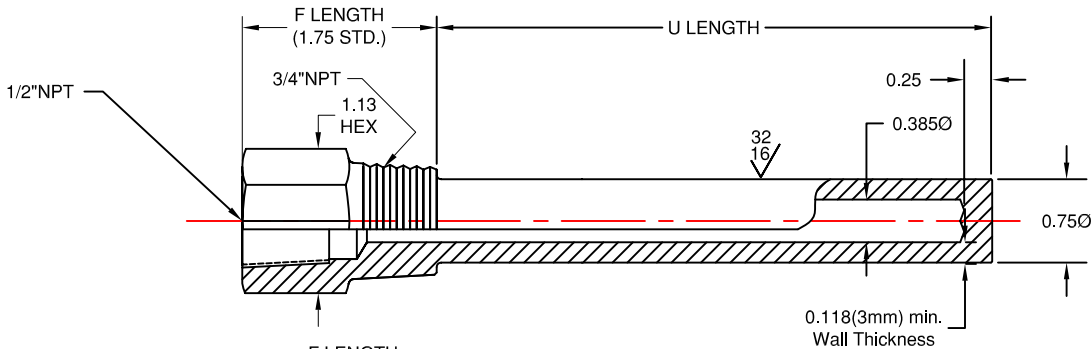
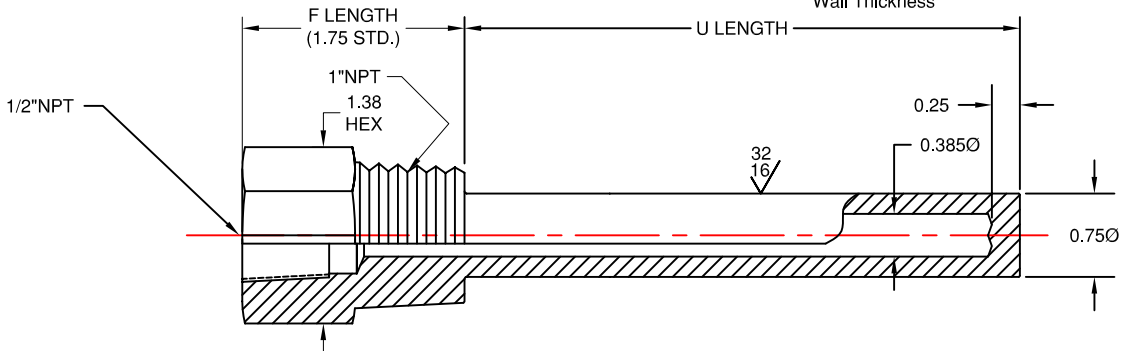


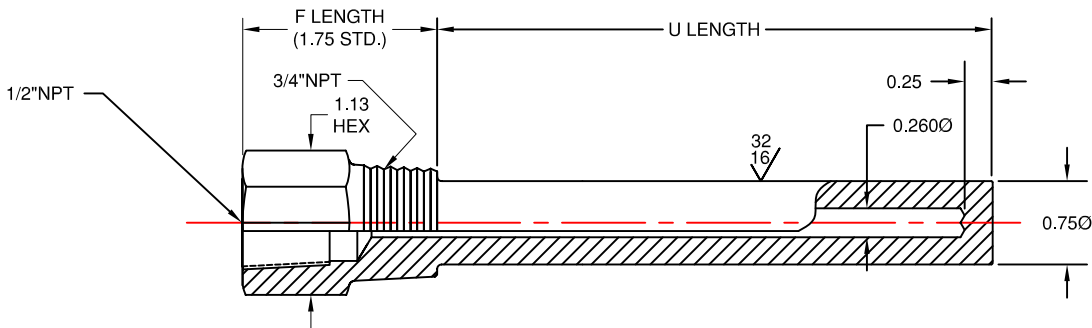
ATEX APPROVED THERMOCOUPLES & RTD's



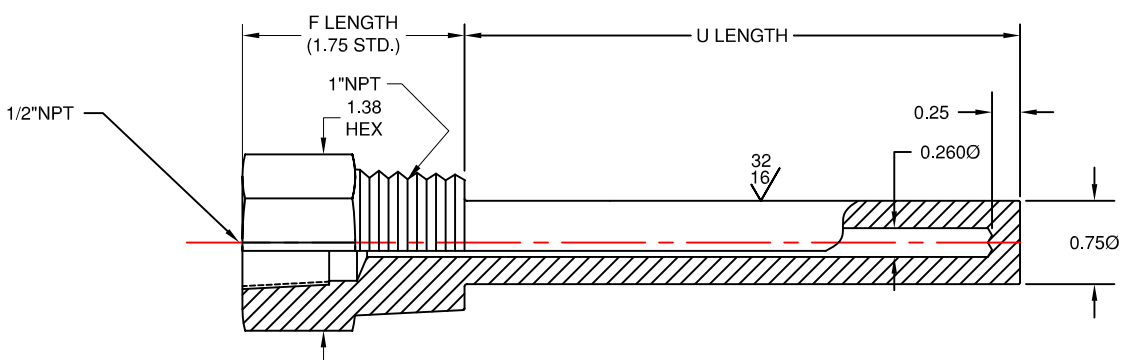
TYPE 16



TYPE 18



TYPE 161



TYPE 181

STANDARD TOLERANCES

- U LENGTH
12" or Less $\pm .063$
12" or Over $\pm .13$
- F LENGTH
 $\pm .25$
- STEM DIAMETER
 $\pm .015$
- BORE DIAMETER
 $+ .005 / - .003$
- END THICKNESS
 $\pm .063$

Ordering Code Go to Documents
 TE-SB101606-ATEX-010 thru -030 TE-SB101606-ATEX-010 thru -030
 for Complete Ordering Code

| | | | |
|-------------|--|-------------|--------------------------------|
| CODE | THERMOWELL TYPE (INSERT WELL TYPE) | CODE | U LENGTH (IN INCHES) |
| CODE | WELL MATERIAL | CODE | F LENGTH (IN INCHES) |
| P | 304 STN. STL. | | |
| B | BRASS | | |
| R | 316 STN. STL. | | |
| PLorRL | 304 or 316L STN. STL. | | |
| N | CARBON STEEL | | |



TEMPERATURE MEASUREMENT DESIGNER'S GUIDE
 WWW.THERMO-ELECTRIC-DIRECT.COM

SECTION ATEX

DRILLED THREADED THERMOWELLS, STRAIGHT SHANK

The information contained hereon shall be considered the sole property of Thermo Electric Company, Inc. The recipient thereof agrees not to disclose or reproduce said information to parties outside the recipient's organization without the written permission of Thermo Electric.

Doc. No.: TE-CO010109-ATEX-070