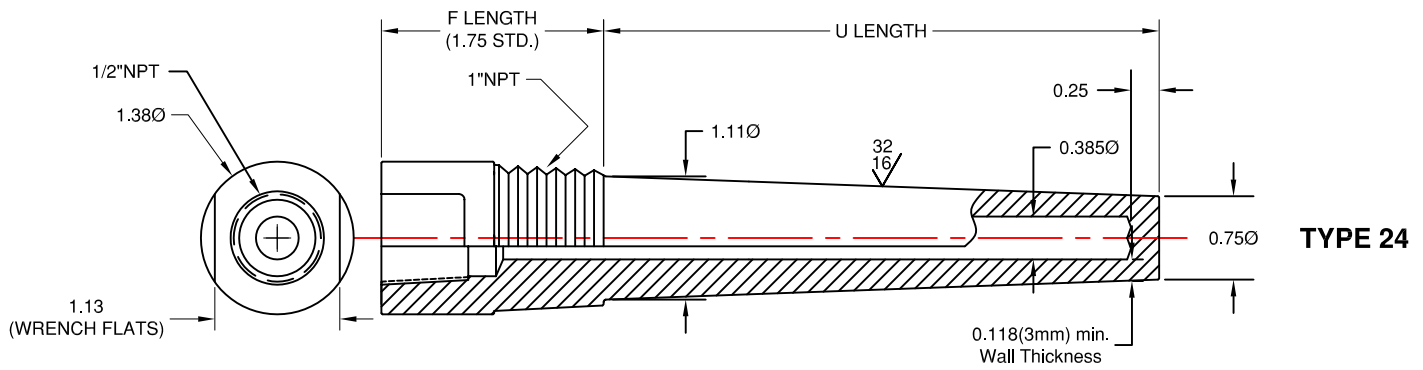
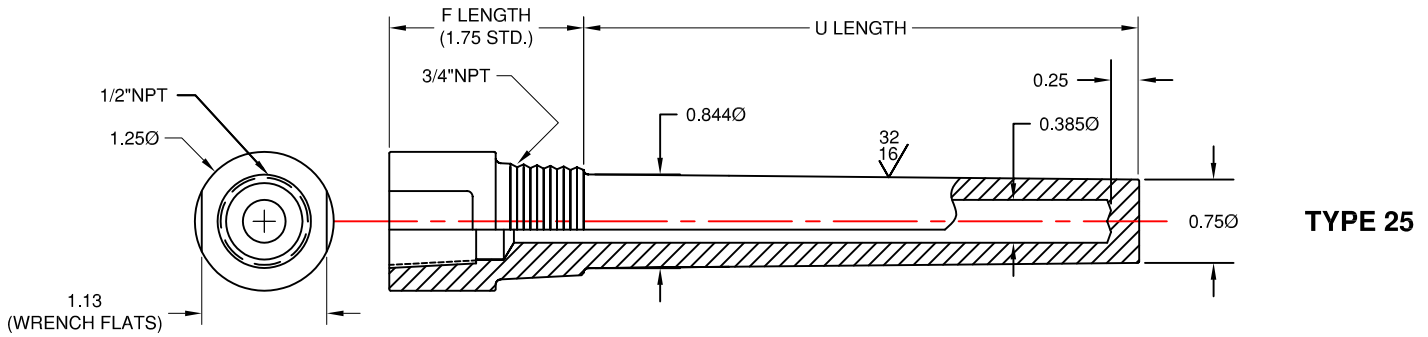


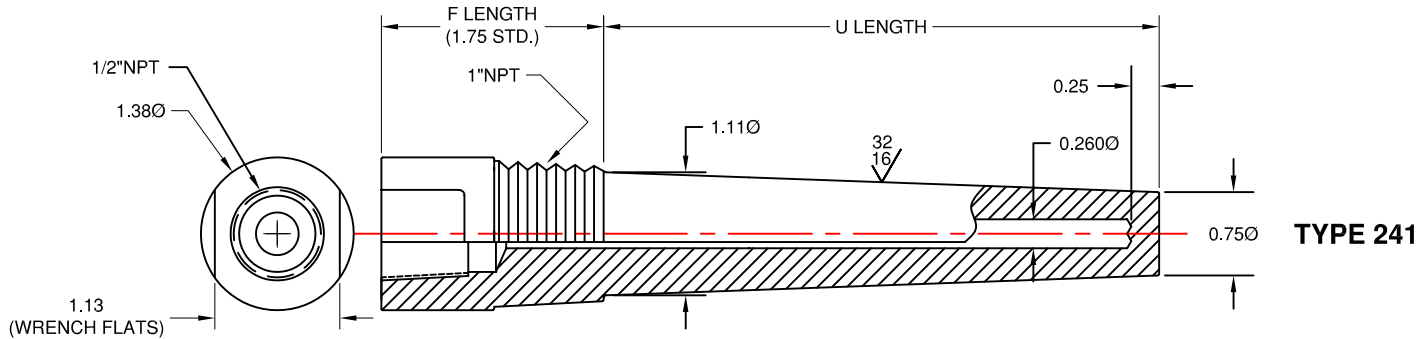
ATEX APPROVED THERMOCOUPLES & RTD's



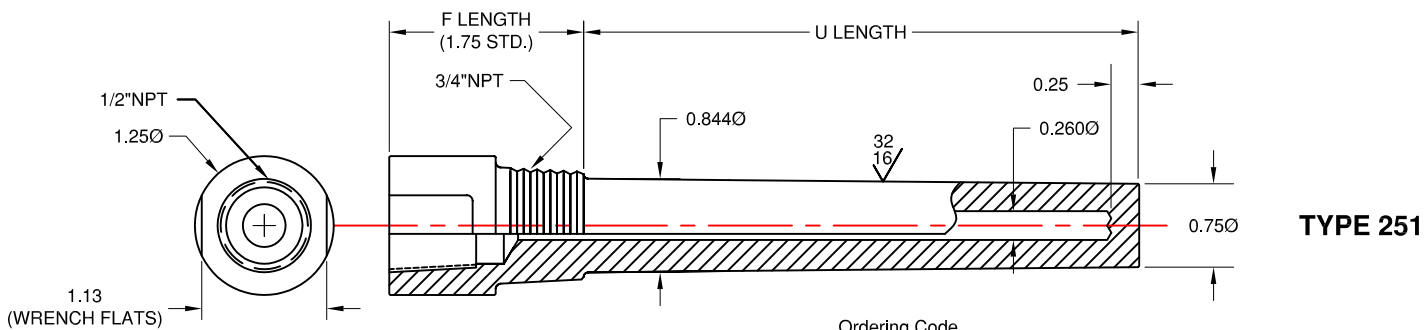
TYPE 24



TYPE 25



TYPE 241



TYPE 251

STANDARD TOLERANCES

- U LENGTH
- 12" or Less ± 0.063
- 12" or Over ± 0.13
- F LENGTH
- ± 0.25
- STEM DIAMETER
- ± 0.015
- BORE DIAMETER
- $+0.005/-0.003$
- END THICKNESS
- ± 0.063

Ordering Code

Go to Documents
TE-SB101606-ATEX-010 thru -030
for Complete Ordering Code

CODE	THERMOWELL TYPE (INSERT WELL TYPE)	CODE	U LENGTH (IN INCHES)
CODE	WELL MATERIAL	CODE	F LENGTH (IN INCHES)
Y	446 STN. STL.		
H	HASTELLOY C276		
L	MONEL 400		
J	INCONEL 600		
Q	310 STN. STL.		
(F11)	1.25%CR - .5%MO		
(F22)	2.25%CR - 1%MO		



TEMPERATURE MEASUREMENT DESIGNER'S GUIDE
WWW.THERMO-ELECTRIC-DIRECT.COM

SECTION ATEX

DRILLED THREADED THERMOWELLS TAPERED SHANK, ALLOY MATERIALS

The information contained hereon shall be considered the sole property of Thermo Electric Company, Inc. The recipient thereof agrees not to disclose or reproduce said information to parties outside the recipient's organization without the written permission of Thermo Electric.

Doc. No.: TE-CO010109-ATEX-080