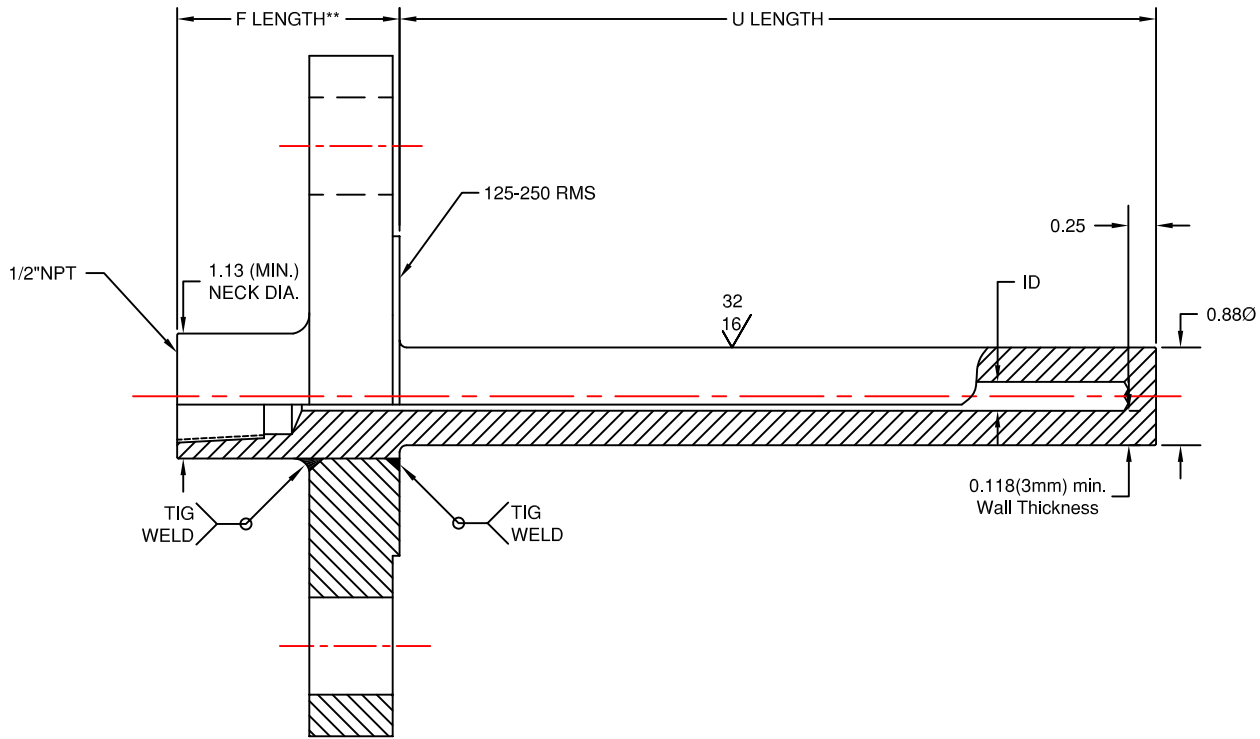
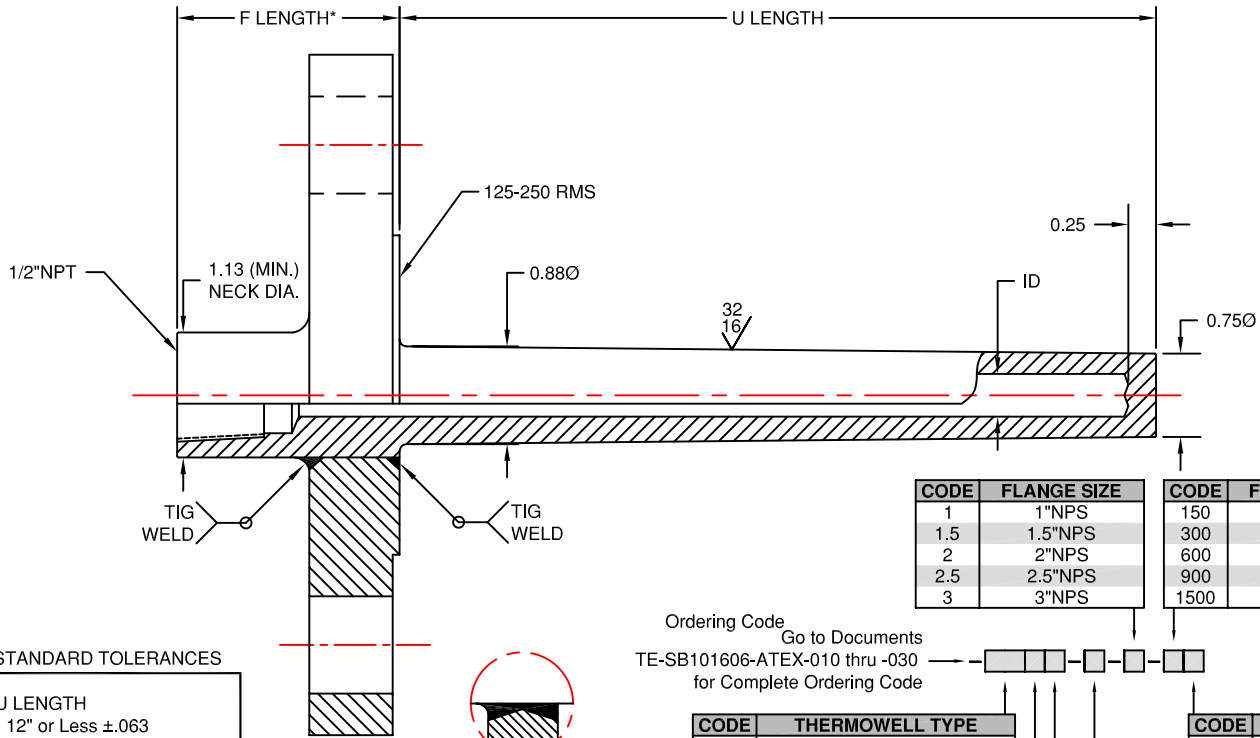


ATEX APPROVED THERMOCOUPLES & RTD's



**TYPE 42
TYPE 43**



**TYPE 47
TYPE 48**

STANDARD TOLERANCES

U LENGTH
12" or Less ± 0.063
12" or Over ± 0.13
F LENGTH
 ± 0.25
STEM DIAMETER
 ± 0.015
BORE DIAMETER
 $+0.005/-0.003$
END THICKNESS
 ± 0.063



*2" Minimum Length For Flanged Thermowells, May Be Longer For Larger Flange Sizes.

Ordering Code
Go to Documents
TE-SB101606-ATEX-010 thru -030
for Complete Ordering Code

CODE	FLANGE SIZE	CODE	FLANGE RATING
1	1"NPS	150	150 LBS.
1.5	1.5"NPS	300	300 LBS.
2	2"NPS	600	600 LBS.
2.5	2.5"NPS	900	900 LBS.
3	3"NPS	1500	1500 LBS.

CODE	THERMOWELL TYPE
42	STRAIGHT, .385"ID
43	STRAIGHT, .260"ID
47	TAPERED, .385"ID
48	TAPERED, .260"ID

CODE	FLANGE TYPE
FF	FLAT FACE
RF	RAISED FACE
RJ	RING JOINT

CODE	WELL MATERIAL
P	304 STN. STL.
R	316 STN. STL.
PLorRL (F11)	304 or 316L STN. STL.
N	1.25% CR. - .5 MO. CARBON STEEL

CODE	U LENGTH (IN INCHES)

CODE	F LENGTH* (IN INCHES)



TEMPERATURE MEASUREMENT DESIGNER'S GUIDE
WWW.THERMO-ELECTRIC-DIRECT.COM

SECTION ATEX DRILLED FLANGED THERMOWELLS TAPERED & STRAIGHT SHANK

The information contained hereon shall be considered the sole property of Thermo Electric Company, Inc. The recipient thereof agrees not to disclose or reproduce said information to parties outside the recipient's organization without the written permission of Thermo Electric.

Doc. No.: TE-CO010109-ATEX-100