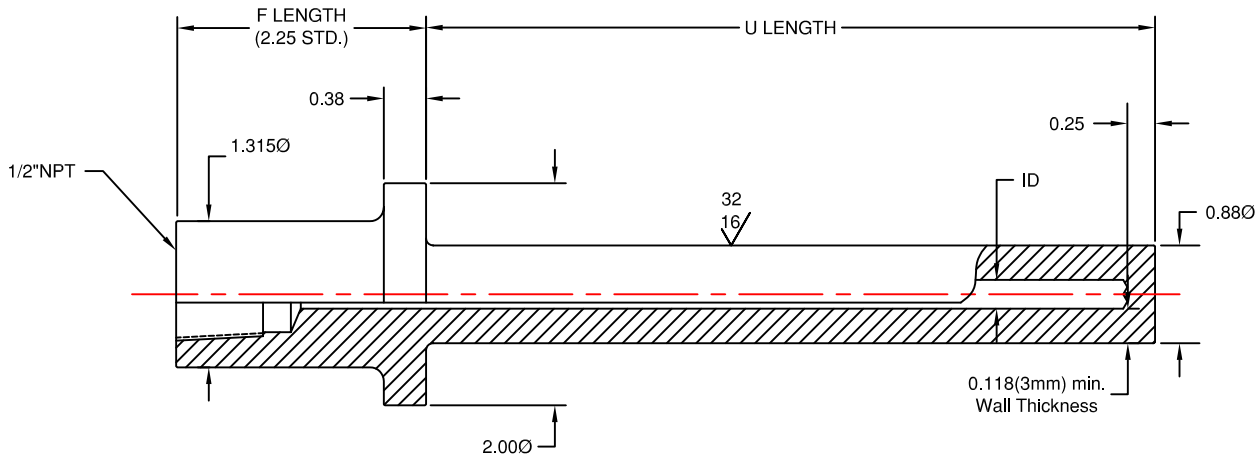
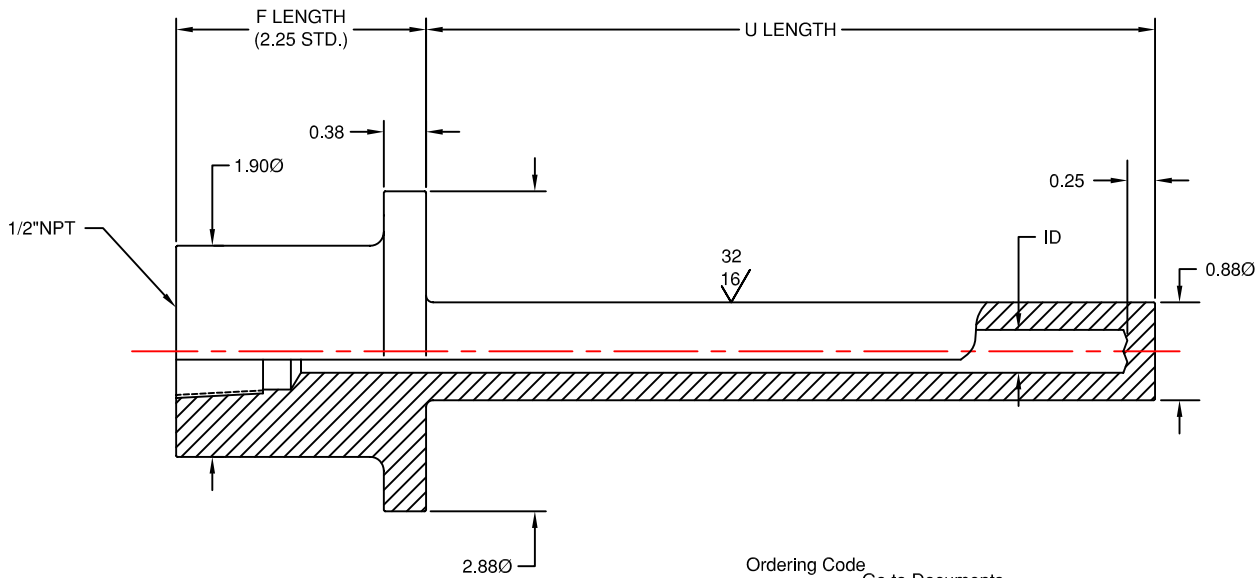


# ATEX APPROVED THERMOCOUPLES & RTD's



**TYPE 45  
TYPE 451**



**TYPE 46  
TYPE 461**

Ordering Code Go to Documents  
 TE-SB101606-ATEX-010 thru -030 for Complete Ordering Code

CODE	U LENGTH (IN INCHES)
CODE	F LENGTH (IN INCHES)
CODE	WELL MATERIAL
P	304 STN. STL.
R	316 STN. STL.
PLorRL (F11)	304 or 316L STN. STL.
N	1.25% CR. - .5 MO. CARBON STEEL
CODE	THERMOWELL TYPE
45	1"FLANGE SIZE, .385"ID
46	1.5"FLANGE SIZE, .385"ID
451	1"FLANGE SIZE, .260"ID
461	1.5"FLANGE SIZE, .260"ID

**STANDARD TOLERANCES**

- U LENGTH
- 12" or Less ±.063
- 12" or Over ±.13
- F LENGTH
- ±.25
- STEM DIAMETER
- ±.015
- BORE DIAMETER
- + .005/- .003
- END THICKNESS
- ±.063



## SECTION ATEX DRILLED VAN STONE THERMOWELLS STRAIGHT SHANK

The information contained hereon shall be considered the sole property of Thermo Electric Company, Inc. The recipient thereof agrees not to disclose or reproduce said information to parties outside the recipient's organization without the written permission of Thermo Electric.