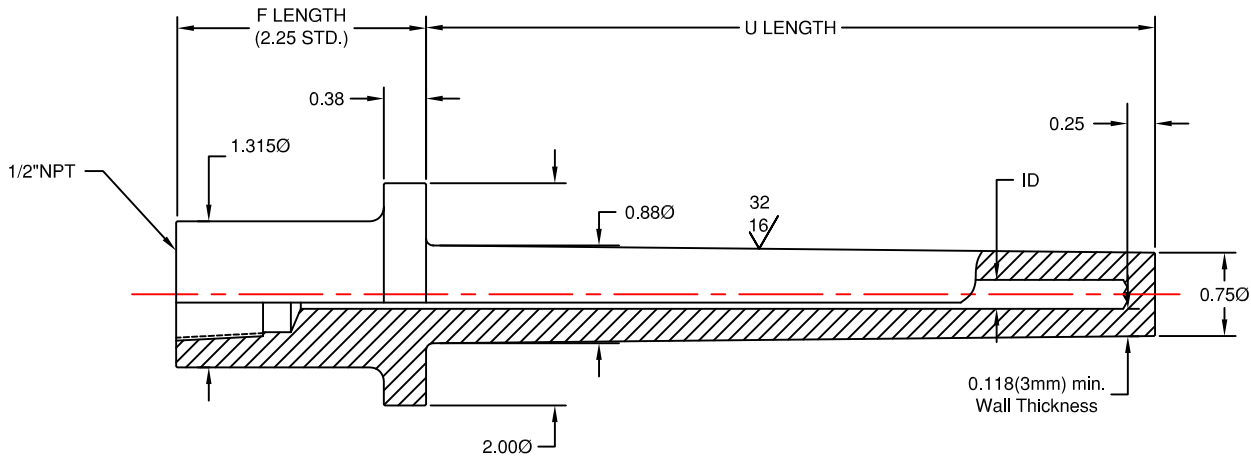
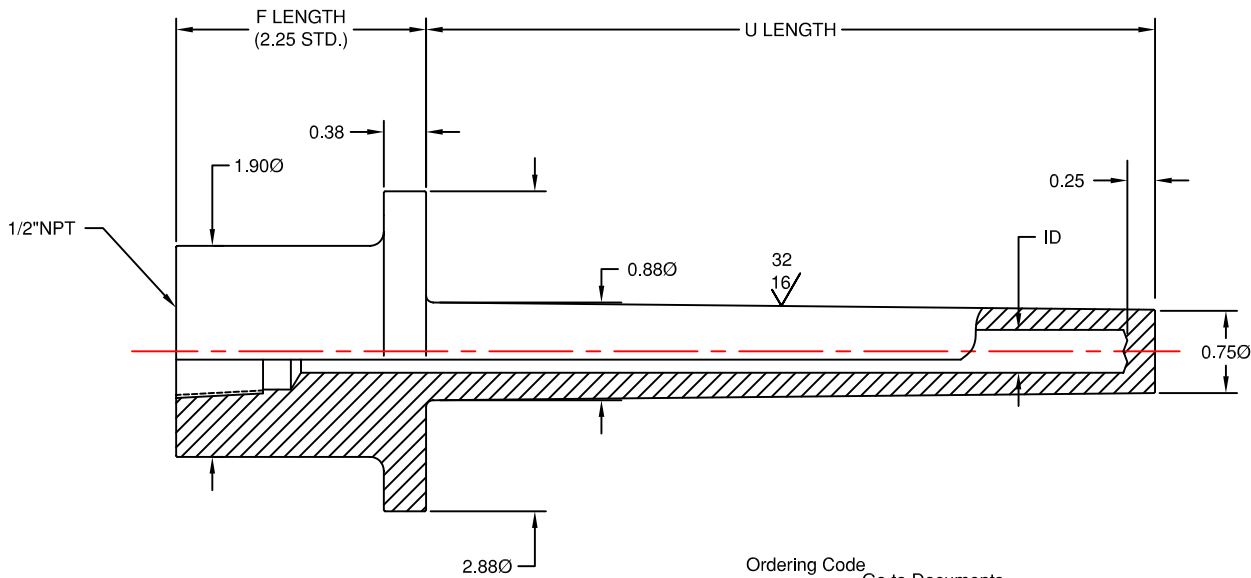


ATEX APPROVED THERMOCOUPLES & RTD's



**TYPE 41
TYPE 411**



**TYPE 44
TYPE 441**

Ordering Code
Go to Documents
TE-SB101606-ATEX-010 thru -030
for Complete Ordering Code

CODE	U LENGTH (IN INCHES)
CODE	F LENGTH (IN INCHES)
CODE	WELL MATERIAL
P	304 STN. STL.
R	316 STN. STL.
PLorRL (F11)	304 or 316L STN. STL. 1.25% CR. - .5 MO.
N	CARBON STEEL
CODE	THERMOWELL TYPE
41	1" FLANGE SIZE, .385" ID
44	1.5" FLANGE SIZE, .385" ID
411	1" FLANGE SIZE, .260" ID
441	1.5" FLANGE SIZE, .260" ID

STANDARD TOLERANCES

- U LENGTH
12" or Less $\pm .063$
12" or Over $\pm .13$
- F LENGTH
 $\pm .25$
- STEM DIAMETER
 $\pm .015$
- BORE DIAMETER
 $+ .005 / - .003$
- END THICKNESS
 $\pm .063$



SECTION ATEX DRILLED VAN STONE THERMOWELLS TAPERED SHANK

The information contained hereon shall be considered the sole property of Thermo Electric Company, Inc. The recipient thereof agrees not to disclose or reproduce said information to parties outside the recipient's organization without the written permission of Thermo Electric.