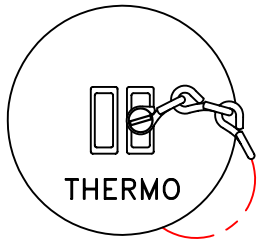
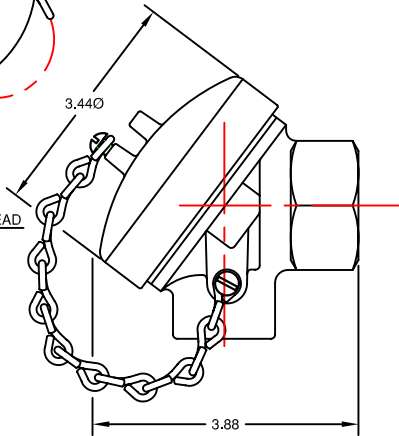


INDUSTRIAL THERMOCOUPLES



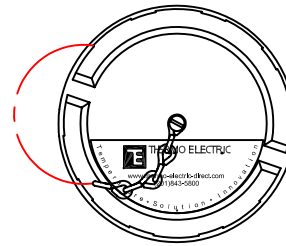
THERMO

TYPE A



WEATHERPROOF HEAVY DUTY CAST IRON HEAD

- STANDARD FEATURES**
 Cast Iron Body & Cover with Heat Resistant Aluminum Paint
 Galvanized Jack Chain
 Fiber Gasket
 Available Tube Openings: 1/2", 3/4", 1"NPT
 Available Conduit Openings: 1/2" with reducer, 3/4"NPT
 Optional Neoprene gasket:
 Add "OR" to Code (A-OR)

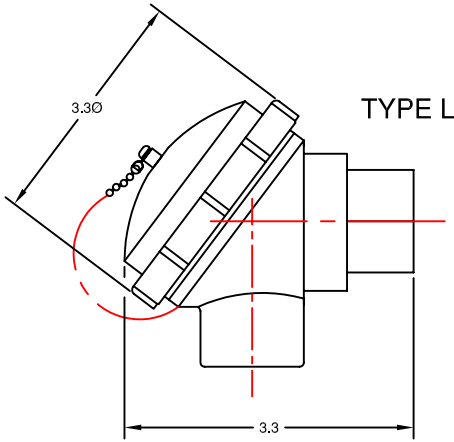
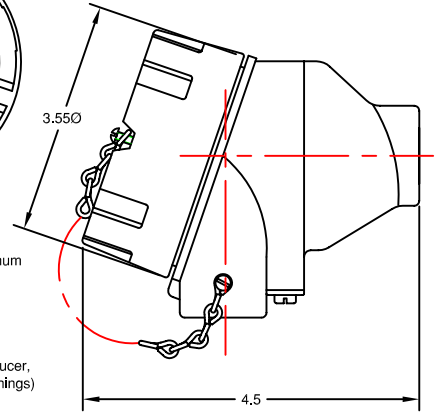


EXPLOSION PROOF ALUMINUM HEAD

- STANDARD FEATURES**
 Chemically Resistant Painted Cast Aluminum Body & Cover
 Stainless Steel Link Chain
 Neoprene O-ring
 Internal, External Ground Screw
 Available Tube Openings: 1/2", 3/4"NPT
 Available Conduit Openings: 1/2" with reducer, 3/4"NPT, M20 X 1.5, (Dual Conduit Openings)

- COMPLIANCE**
 ATEX Approved EEx d IIC T6
 CSA & FM Approved for
 Class 1, Division 1, Groups A, B, C, & D
 Class 2, Division 2, Groups E, F & G
 NEMA-4, -4X, IP66

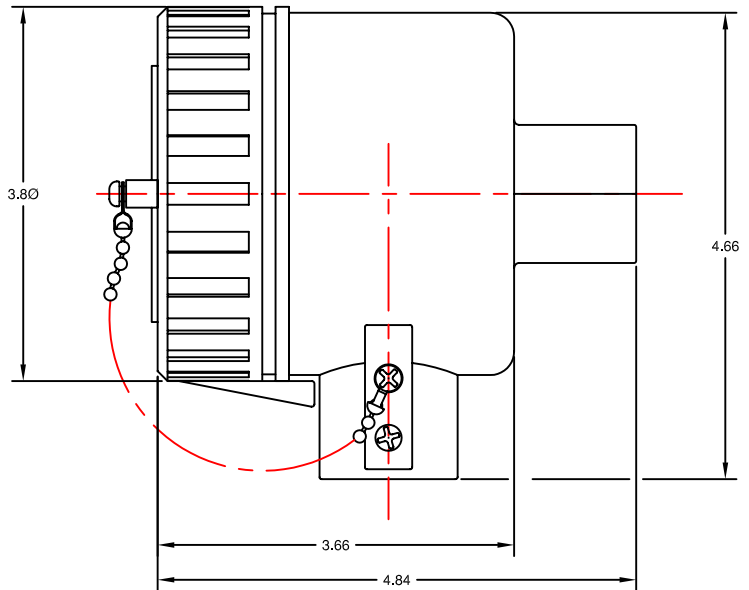
TYPE XD



TYPE L

POLYPROPYLENE HEAD

- STANDARD FEATURES**
 Black Polypropylene Body & Cover
 Stainless Steel Ball Chain
 Rubber Gasket
 Available Tube Openings: 1/2", 3/4", 1"NPT
 Available Conduit Openings: 1/2" with PVC reducer, 3/4"NPT

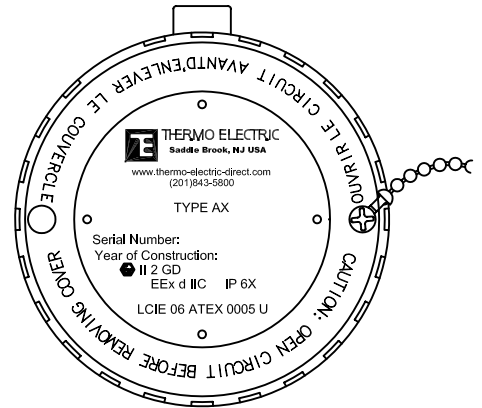


TYPE AX

**LARGE DEVICE
 ATEX APPROVED ALUMINUM HEAD**

- STANDARD FEATURES**
 Epoxy Coated Blue Cast Aluminum Body & Cover
 Stainless Steel Ball Chain
 Neoprene O-ring
 Internal, External Ground Screw
 Available Tube Openings: 1/2", 3/4"NPT
 Available Conduit Openings: 1/2", 3/4"NPT, M20 x 1.5

- COMPLIANCE**
 ATEX Approved EEx d IIC T6
 CSA & FM approval Pending



CODE	HEAD TYPE	
	SERVICE	MATERIAL
A	WEATHERPROOF, HEAVY DUTY	CAST IRON
XD	EXPLOSION PROOF	ALUMINUM
L	LIGHT WEIGHT PLASTIC	POLYPROPYLENE
AX	LARGE DEVICE	ALUMINUM

CODE	CONDUIT OPENING
	1/2, 3/4", 1"NPT, M20 x 1.5

CODE	TUBE OPENING
	1/2 or 3/4"NPT

HD: — .4P
 XD ³/₄ — ¹/₂



TEMPERATURE MEASUREMENT DESIGNER'S GUIDE
 WWW.THERMO-ELECTRIC-DIRECT.COM

SECTION INTC
 CONNECTION HEADS

The information contained hereon shall be considered the sole property of Thermo Electric Company, Inc. The recipient thereof agrees not to disclose or reproduce said information to parties outside the recipient's organization without the written permission of Thermo Electric.

Doc. No.: TE-CO010109-INTC-270