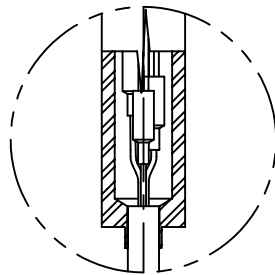
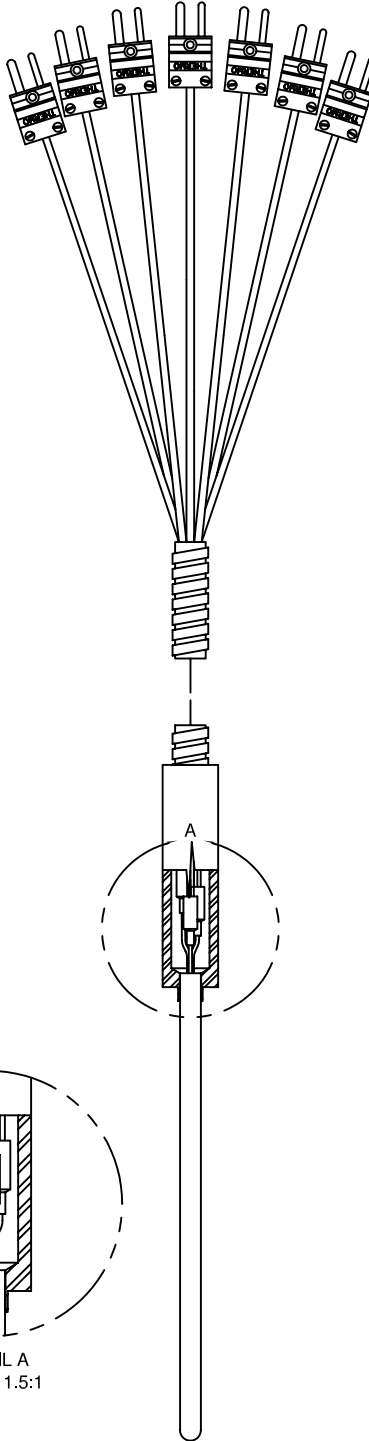
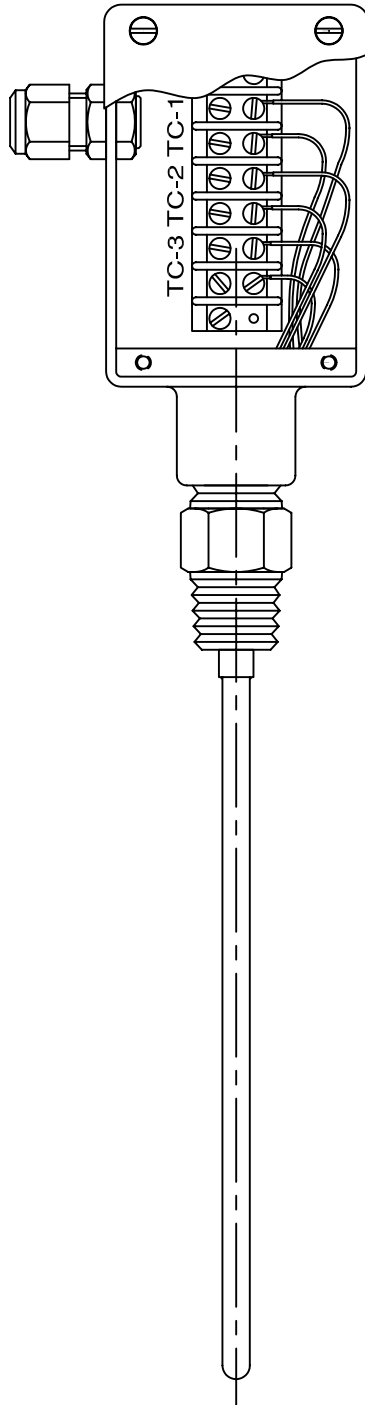


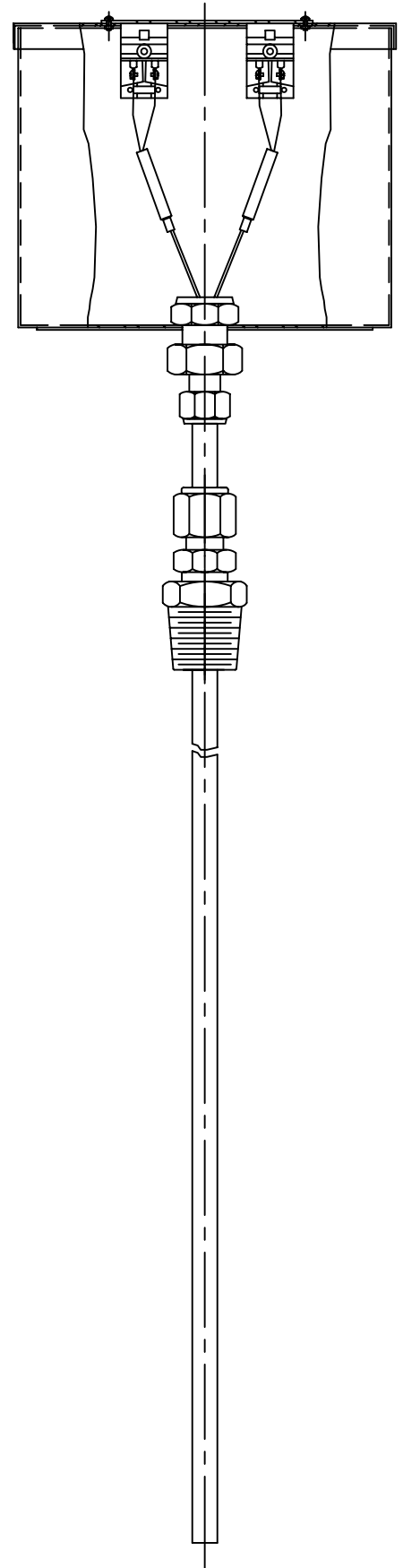
MULTICOUPLES

MINIATURE MULTICOUPLES consist of numerous individual thermocouple elements contained in a single tube. Measuring junctions can be spaced along the length of the sensor to achieve a profile of process environment. Miniature multicouples can be used in situations where a number of individual thermocouples have been used to achieve profiling but when space is at a premium. Typical applications include pilot plant operations and pressurized process chambers where a minimum interruption of flow and a maximum response time is desirable.

Thermo Electric offers a complete line of miniature multicouple assemblies for this purpose. Assemblies are manufactured to the specific requirement of the system. They are usually supplied with a compression fitting and terminated to a jack panel, terminal box or lead wire and connectors.



DETAIL A
SCALE 1.5:1



TEMPERATURE MEASUREMENT DESIGNER'S GUIDE
WWW.THERMO-ELECTRIC-DIRECT.COM

SECTION MULT

MINIATURE MULTICOUPLES for TEMPERATURE PROFILING

The information contained hereon shall be considered the sole property of Thermo Electric Company, Inc. The recipient thereof agrees not to disclose or reproduce said information to parties outside the recipient's organization without the written permission of Thermo Electric.

Doc. No.: TE-CO010109-MULT-050