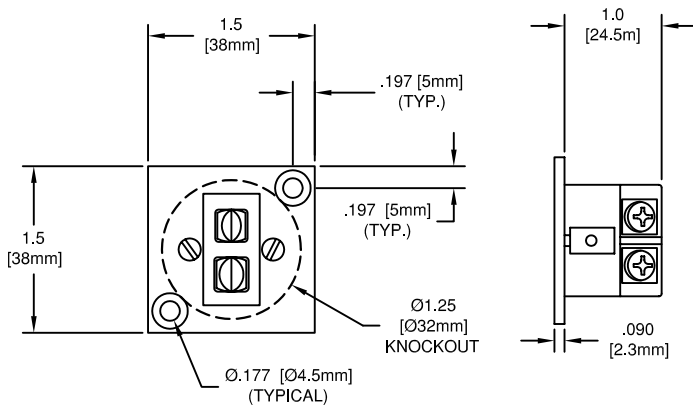


# THERMOCOUPLE & RTD PANELS



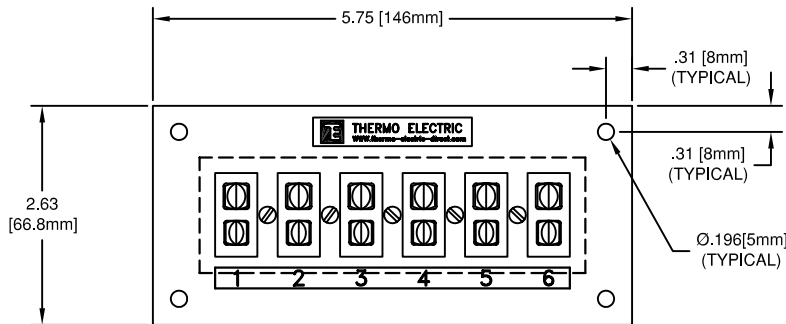
## SINGLE CIRCUIT JACK PANEL

ORDERING CODE	CALIBRATION	INSERT COLOR	PANEL CUTOUT
PA41609	JX	BLACK	1.25" to 1.44" KNOCKOUT
PA41610	KX	YELLOW	
PA41611	TX	BLUE	
PA41612	SX/RX*	GREEN	
PA41613	EX	PURPLE	
PA41614	BX**	WHITE	
PA41609-NX	NX	ORANGE	

Add (-IEC) to end of ordering code for IEC color code.

\* Compensating Extension Alloys used for both R and S thermocouples  
 \*\* Copper used for B thermocouples or RTD's

## SINGLE ROW, 6 CIRCUIT JACK PANEL

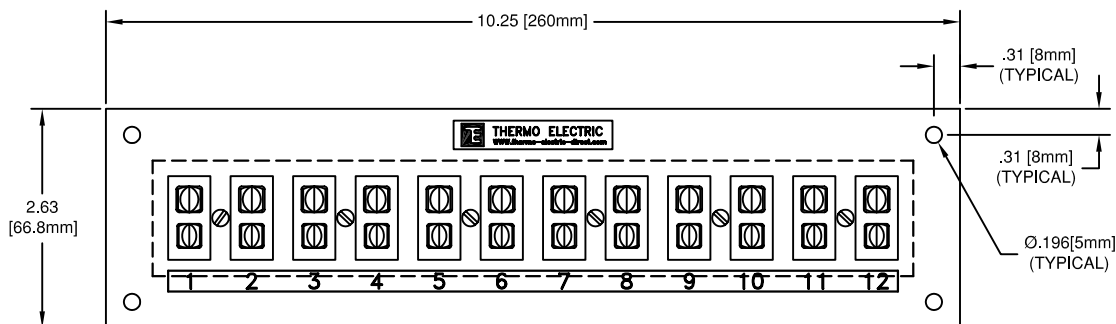


ORDERING CODE	NUMBER OF CIRCUITS	PANEL CUTOUT
PA41601-XX	6	1.13[28.7mm] x 4.63[117.6mm]
PA41602-XX	12	1.13[28.7mm] x 9.13[232mm]
PA41603-XX	18	1.13[28.7mm] x 13.63[346.2mm]

XX, FILL IN CALIBRATION: JX, KX, TX, SX/RX\*, EX, BX\*\*, NX

Add (-IEC) to end of ordering code for IEC color code.

## SINGLE ROW, 12 CIRCUIT JACK PANEL



## SPECIFICATIONS

### INSERTS

Color Identification: ANSI-MC96  
 Polarized, Spring Loaded  
 Insert Material: Thermocouple Alloys  
 Body Material: High Impact Strength Thermoplastic  
 Maximum Temperature Limit: 390°F (200°C)  
 Maximum Wire Diameter: .079" (14Ga)

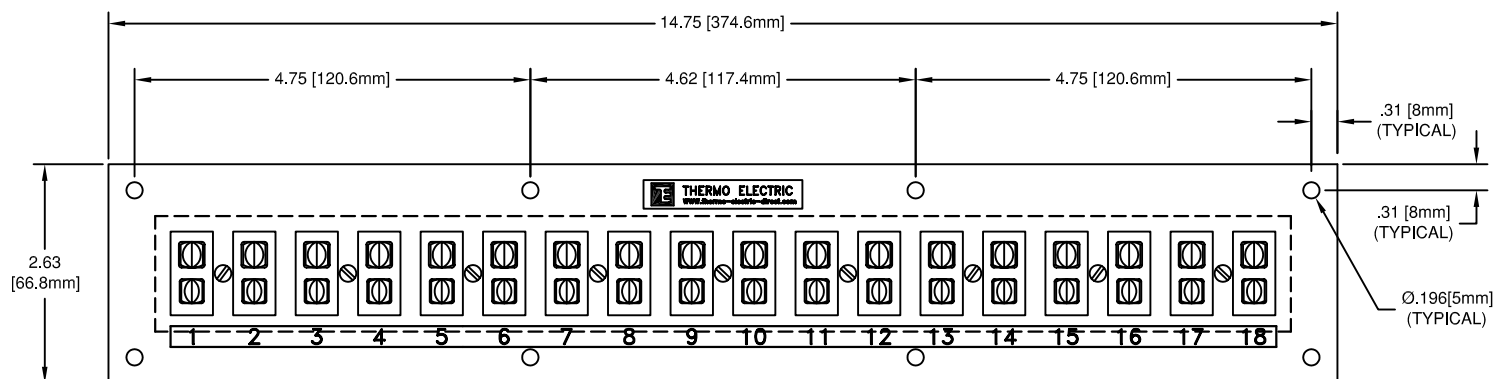
### FACE PANEL

Material: Anodized Aluminum

### MATING PLUG

Standard Size 2-Pin  
 See Document No.  
 TE-SB-101606-CONN-010

## SINGLE ROW, 18 CIRCUIT JACK PANEL



TEMPERATURE MEASUREMENT DESIGNER'S GUIDE  
 WWW.THERMO-ELECTRIC-DIRECT.COM

## SECTION PANN

STANDARD SIZE, 2-PIN JACK PANELS  
 SINGLE, 6, 12 & 18 CIRCUIT

The information contained hereon shall be considered the sole property of Thermo Electric Company, Inc. The recipient thereof agrees not to disclose or reproduce said information to parties outside the recipient's organization without the written permission of Thermo Electric.

Doc. No.: TE-CO010109-PANN-010