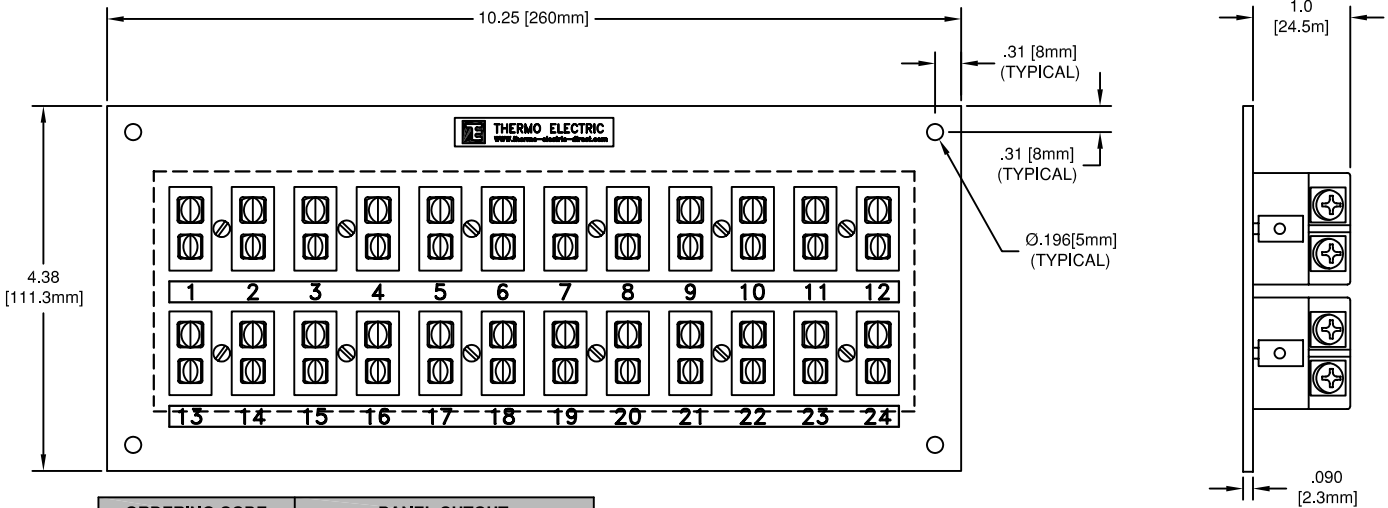


THERMOCOUPLE & RTD PANELS

TWO ROW, 12 CIRCUIT PER ROW JACK PANEL



ORDERING CODE	PANEL CUTOUT
PA41604-XX	2.88[73mm] x 9.13[232mm]
XX, FILL IN CALIBRATION: JX, KX, TX, SX/RX*, EX, BX**, NX	

Add (-IEC) to end of ordering code for IEC color code.

* Compensating Extension Alloys used for both R and S thermocouples

** Copper used for B thermocouples or RTD's

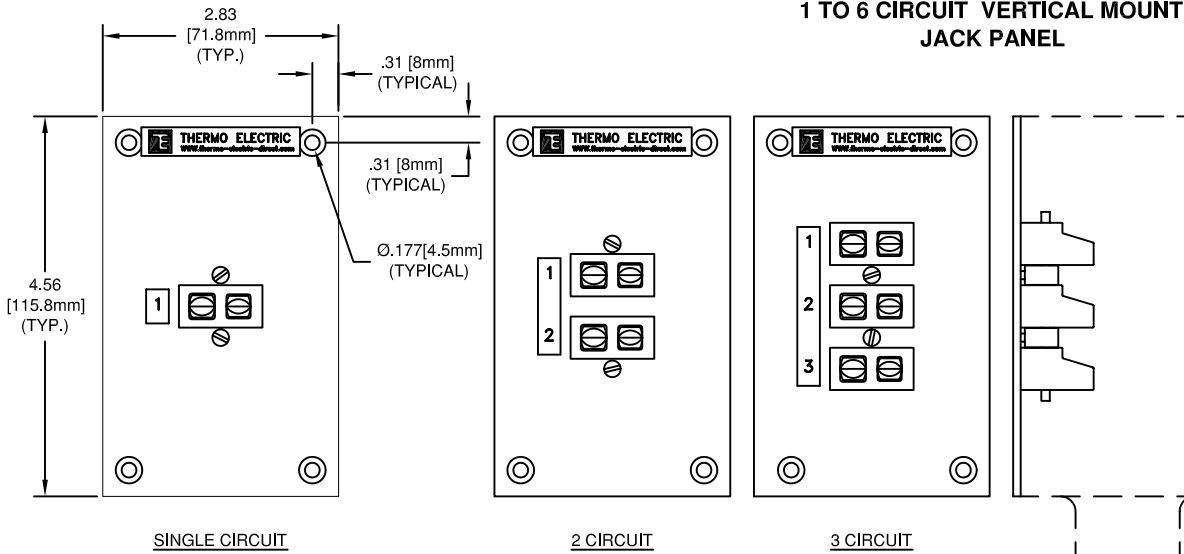
SPECIFICATIONS

INSERTS
 Color Identification: ANSI-MC96
 Polarized, Spring Loaded
 Insert Material: Thermocouple Alloys
 Body Material: High Impact Strength Thermoplastic
 Maximum Temperature Limit: 390°F (200°C)
 Maximum Wire Diameter: .079" (14Ga)

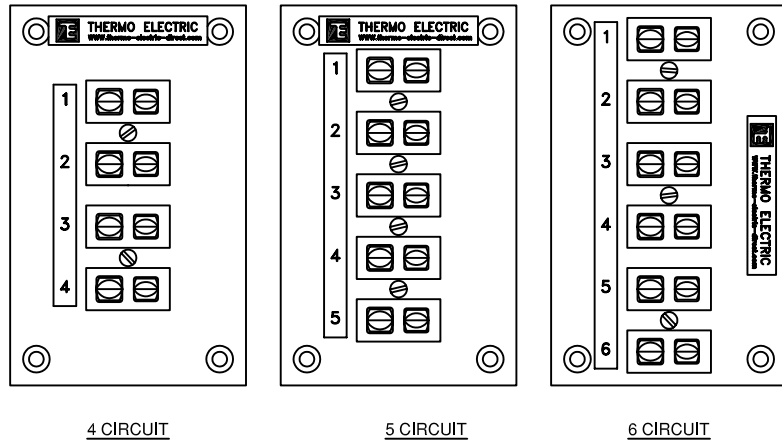
FACE PANEL
 Material: Anodized Aluminum

MATING PLUG
 Standard Size 2-Pin
 See Document No.
 TE-SB-101606-CONN-010

1 TO 6 CIRCUIT VERTICAL MOUNT JACK PANEL



OPTIONAL EN1527 JUNCTION BOX
 SEE DOCUMENT NO.:
 TE-SB101606-PANN-070



ORDERING CODE	NUMBER OF CIRCUITS	PANEL CUTOUT
PA41801-XX	1	.63[16mm] x 1.13[28.6mm]
PA41802-XX	2	1.5[38mm] x 1.13[28.6mm]
PA41803-XX	3	2.25[57mm] x 1.13[28.6mm]
PA41804-XX	4	3[77mm] x 1.13[28.6mm]
PA41805-XX	5	3.75[95mm] x 1.13[28.6mm]
PA41806-XX	6	4.5[114.3mm] x 1.13[28.6mm]
XX, FILL IN CALIBRATION: JX, KX, TX, SX/RX*, EX, BX**, NX		

Add (-IEC) to end of ordering code for IEC color code.



TEMPERATURE MEASUREMENT DESIGNER'S GUIDE
 WWW.THERMO-ELECTRIC-DIRECT.COM

SECTION PANN

STANDARD SIZE, 2-PIN JACK PANELS
 24 CIRCUIT, 1 TO 6 CIRCUIT VERTICAL MOUNT

The information contained hereon shall be considered the sole property of Thermo Electric Company, Inc. The recipient thereof agrees not to disclose or reproduce said information to parties outside the recipient's organization without the written permission of Thermo Electric.

Doc. No.: TE-CO010109-PANN-020