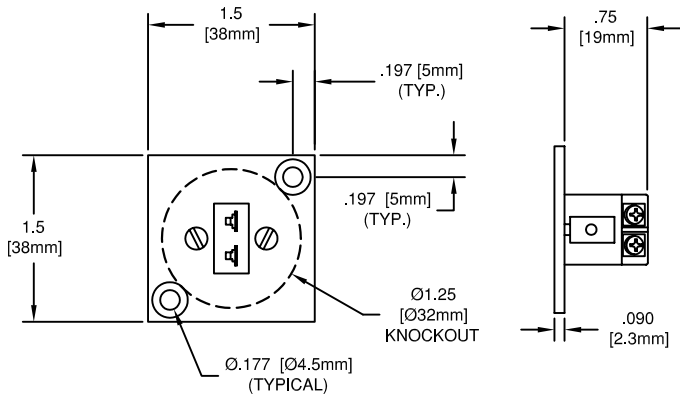


THERMOCOUPLE & RTD PANELS

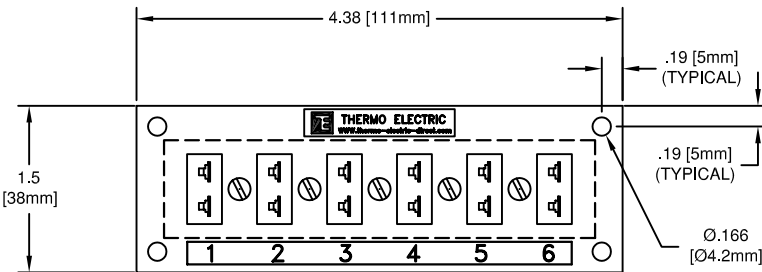


SINGLE CIRCUIT MINIATURE JACK PANEL

ORDERING CODE	CALIBRATION	INSERT COLOR	PANEL CUTOUT
PA41615-JX	JX	BLACK	1.25" to 1.44" KNOCKOUT
PA41615-KX	KX	YELLOW	
PA41615-TX	TX	BLUE	
PA41615-SX	SX/RX*	GREEN	
PA41615-EX	EX	PURPLE	
PA41615-BX	BX**	WHITE	
PA41615-NX	NX	ORANGE	

Add (-IEC) to end of ordering code for IEC color code.

SINGLE ROW, 6 CIRCUIT MINIATURE JACK PANEL



6, 12 & 18 CIRCUIT MINIATURE JACK PANEL

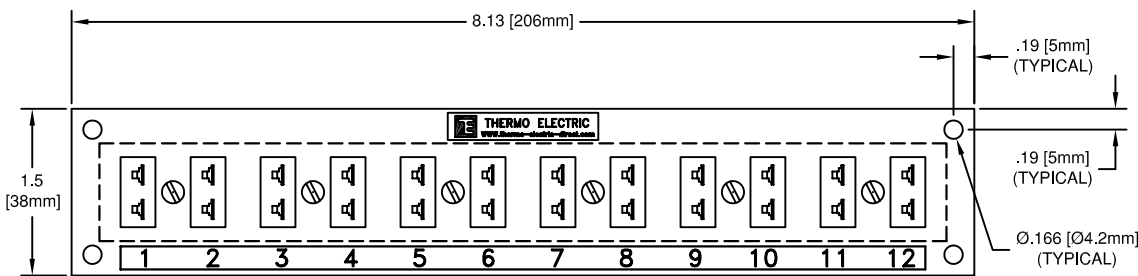
ORDERING CODE	NUMBER OF CIRCUITS	PANEL CUTOUT
PA41605-XX	6	.88[22.3mm] x 3.88[98.6mm]
PA41606-XX	12	.88[22.3mm] x 7.63[194mm]
PA41607-XX	18	.88[22.3mm] x 11.38[289mm]

XX, FILL IN CALIBRATION: JX, KX, TX, SX/RX*, EX, BX, NX

Add (-IEC) to end of ordering code for IEC color code.

* Compensating Extension Alloys used for both R and S thermocouples
** Copper used for B thermocouples or RTD's

SINGLE ROW, 12 CIRCUIT MINIATURE JACK PANEL



SPECIFICATIONS

INSERTS

Color Identification: ANSI-MC96
Polarized, Spring Loaded
Insert Material: Thermocouple Alloys
Body Material: High Impact Strength Thermoplastic
Maximum Temperature Limit: 390°F (200°C)
Maximum Wire Diameter: .024" (20Ga)

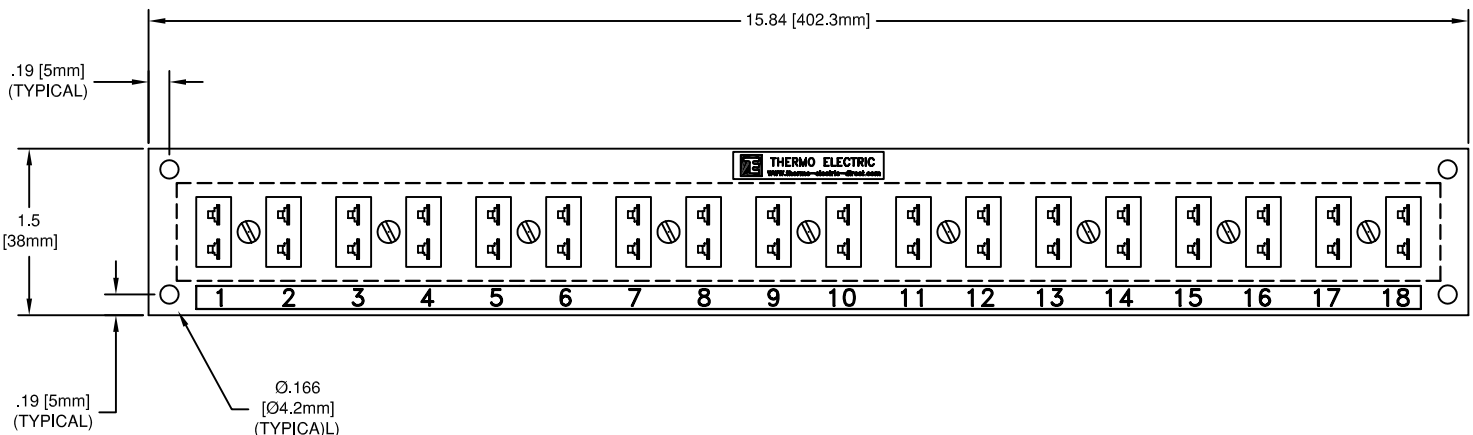
FACE PANEL

Material: Anodized Aluminum

MATING PLUG

Miniature 2-Pin
See Document No.
TE-SB-101606-CONN-080

SINGLE ROW, 18 CIRCUIT MINIATURE JACK PANEL



TEMPERATURE MEASUREMENT DESIGNER'S GUIDE
WWW.THERMO-ELECTRIC-DIRECT.COM

SECTION PANN

MINIATURE, 2-PIN JACK PANELS
SINGLE, 6, 12 & 18 CIRCUIT

The information contained hereon shall be considered the sole property of Thermo Electric Company, Inc. The recipient thereof agrees not to disclose or reproduce said information to parties outside the recipient's organization without the written permission of Thermo Electric.

Doc. No.: TE-CO010109-PANN-040