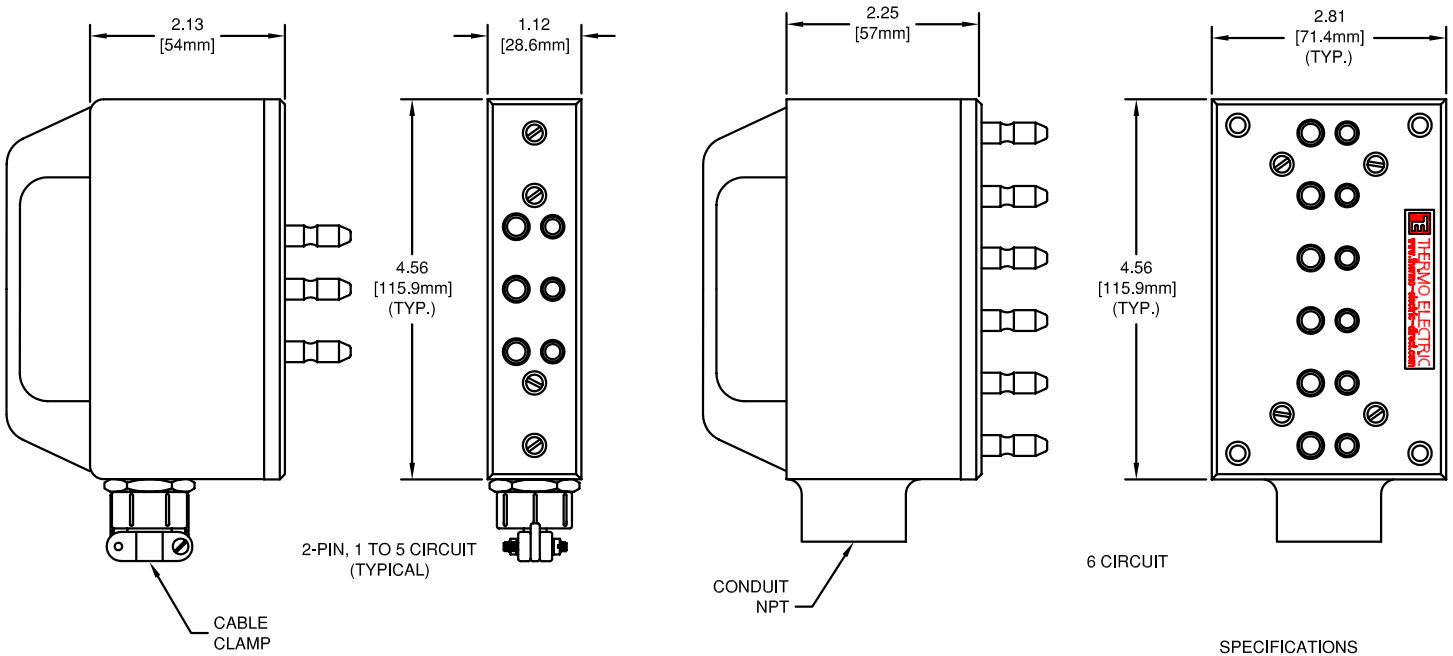


THERMOCOUPLE & RTD PANELS

1 TO 6 CIRCUIT PLUG PANEL with CONDUIT BOX



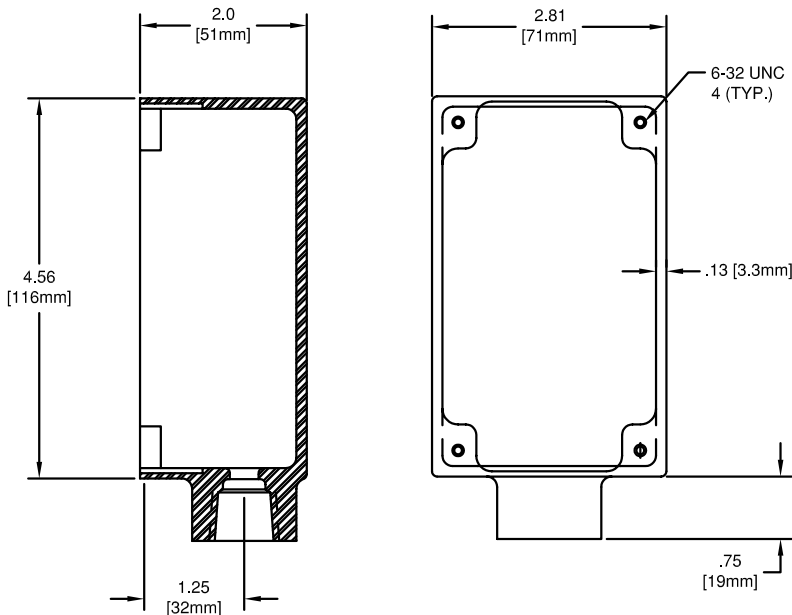
ORDERING CODE	NUMBER OF CIRCUITS
PA42501-XX	2
PA42502-XX	3
PA42503-XX	4
PA42504-XX	5
PA42505-XX	6
XX, FILL IN CALIBRATION: JX, KX, TX, SX/RX*, EX, BX**	

MATES WITH 2 TO 6 CIRCUIT 2-PIN VERTICAL MOUNT JACK PANEL
 Standard 2-Pin Aluminum
 Document No.: TE-CO010109-PANN-020
 Standard 2-Pin Phenolic
 Document No.: TE-CO010109-PANN-060

PINS
 Pin Material: Thermocouple Alloys
 Polarized Pins
 Spring Loaded Inserts
 Maximum Wire Diameter: .038" (20Ga)

FACE PANEL
 Material: Machined Phenolic
 Maximum Temperature Limit: 300°F (150°C)
 Maximum Wire Diameter: .038" (20Ga)

* Compensating Extension Alloys used for both R and S thermocouples
 ** Copper used for B thermocouples or RTD's



CONDUIT BOXES, CAST ALUMINUM

Similar to a standard FS electrical box, this rugged cast aluminum conduit box is sized to fit all of Thermo Electric's vertical mount jack panels. Connection of 1/2" or 3/4"NPT located on bottom allows for securing of wires with a cable clamp or mounting in conduit.

ORDERING CODE	NPT OPENING
EN1527-1	1/2"NPT
EN1527-2	3/4"NPT

TEFLON®/Fiberglass
 These panels are also available in fiberglass reinforced TEFLON construction, both front and rear. They may be subjected to temperatures of up to 500°F(260°C).
 To order with Teflon/fiberglass specify "-T/G" at the end of the ordering code.



TEMPERATURE MEASUREMENT DESIGNER'S GUIDE
 WWW.THERMO-ELECTRIC-DIRECT.COM

SECTION PANN

PHENOLIC, 2-PIN PLUG PANELS
 1 TO 6 CIRCUIT CONDUIT BOXES

The information contained hereon shall be considered the sole property of Thermo Electric Company, Inc. The recipient thereof agrees not to disclose or reproduce said information to parties outside the recipient's organization without the written permission of Thermo Electric.

Doc. No.: TE-CO010109-PANN-070